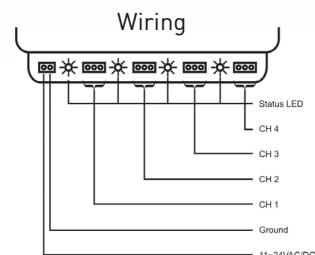


FOUR CHANNEL TRANSMITTER / RECEIVER

SK-910R4-4 Four Channel RF Receiver Model No. 75-064

- Controls home automation devices - garage doors, alarm panels, motorised gates, etc from up to 500 feet (150 metres) by remote control.
- Mode switch for easy programming.
- 4 LED's, one per channel, indicate RF reception.
- Operates on 11-24 VAC/VDC
- Dimensions: 111mm x 135mm x 28mm



SK-937TS4J-N Four Channel RF Transmitter Model No. 75-063

- Operates up to 500 feet
- Over 68 billion possible codes
- Includes 12VDC alkaline battery
- Dimensions: 60mm x 35mm x 15mm

Operating Distance	Up to 500 feet (open air)
Operating Temperature	-4° ~162°F (-20° ~72°C)
Current Drain	8mA at 12VDC (standby), 45mA at 12VDC (LED flashing)
Sensitivity	-87dBm (typical)
Data Format	PWM
RF Codes	18 quintillion Codebump
Coded Channels	Four
Stored Transmitter Codes	15 per channel, 60 per receiver
Receiver Outputs	Form 'C' dry relay contact (N.O/N.C/Com); max 10Amp @ 24VDC
Receiver Output Modes	Programmable independent outputs: Timed momentary (1,2,3,4,5,10,30,60 sec) Toggle (ON/OFF) Latched Continuous
Operating Frequency	433.92MHz
Timer	1-60 sec (Note: Has only one timer. If more than one, relay is set to 'timed output'. Each relay turns ON for the same amount of time)

SK-93ERSD Extended Range Antenna Dipole Type Model No. 75-065



- Extends RF receiver range up to 1,200 feet (open air) with existing remotes
- Comes with 9 feet of cable which easily plugs into the 3 pin antenna port located on the RF receiver
- If an extended range antenna is used, the 'LP3' on the receiver PC board must be cut
- Actual antenna range will vary greatly depending on the operating environment
- Power Supply: +5VDC, +/-0.1 VDC (supplied by receiver's motherboard)
- Current consumption: 4.0mA

SINGLE CHANNEL RF RECEIVER

SK-910RA-4 RF Receiver with Relay Output
Model No. 75-067

FEATURES

- One Channel. 433.92MHz
- Small size (80 x 65 x 19mm)
- Control garage doors, etc.
- LED shows RF reception program status
- Mode switches for easy transmitter learning

TECHNICAL SPECIFICATIONS

Range	Up to 500'
Operating Voltage	11-24V AC/DC
Memory Capacity	15 transmitter button codes
Current Draw	5mA standby, 50mA LED flashing @12VDC
Output Mode	Programmable 4-sec. momentary (default), 1-sec. momentary, toggle (ON/OFF), or continuous
Output Type	3A From 'C' relay (NO/NC/C)
Frequency	433.92MHz

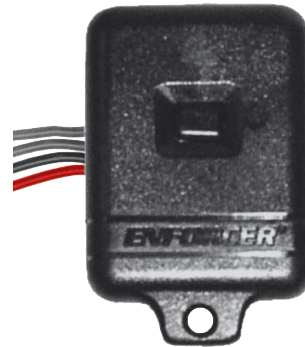
SK-939TDWS-B
 Wired 1 Channel RF Transmitter
Model No. 75-068

FEATURES

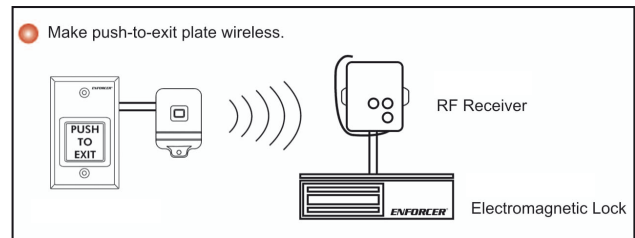
- 433.92MHz
- Small size (57 x 38 x16mm)
- Powered by internal or external battery
- Operates up to 500 feet
- LED transmission indicator
- Includes 12VDC alkaline battery
- Wiring:
 - 2 wires (6") for N.O. switch input
 - 2 wires (6") for 12VDC power input



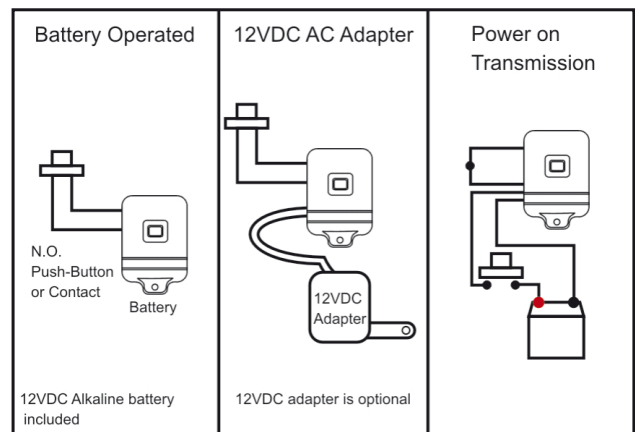
Model No. 75-067



Model No. 75-068



Typical Applications



Sample Connections