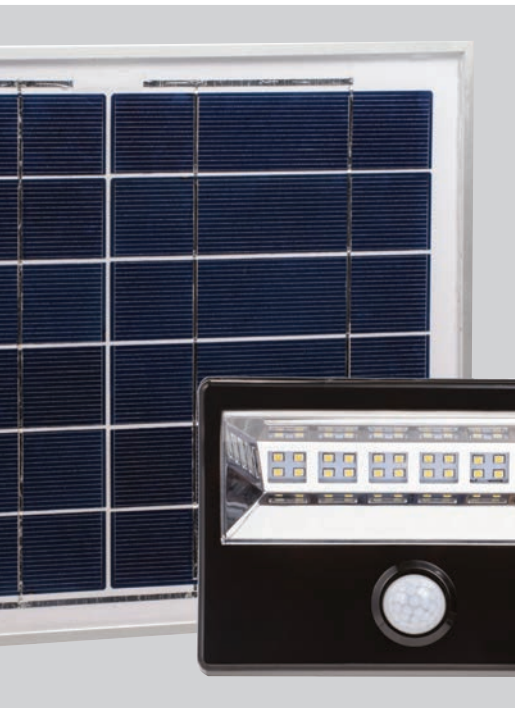


## PRODUCT GUIDE 2015



# HOUSEWATCH® HWC™ INTRODUCTION

If you're looking for the best in domestic or commercial security, look no further than Housewatch®.









Housewatch® was established in 1989 as a distributor of security lighting, sensors, alarm systems and closed circuit TV to the Australian electrical wholesale industry. It has since evolved to become a respected market leader, trusted by professional lighting, electrical & security contractors across Australia.

The quality, reliability and efficiency of all Housewatch® products is taken very seriously, which is one of the reasons why the brand has become a leader in the security distribution field. Listening carefully to customer feedback, Housewatch® products are continuously improved to ensure 100% customer satisfaction.

Housewatch® is now a brand of Repelec (Aust), and our professional product range is distributed through the Australian electrical wholesale network.

The HWC™ brand was launched in 2014 as a specialist range of commercial sensors, designed for the most sophisticated applications. Professional installers, integrators and specifiers looking for the very best in commercial sensor solutions can now select a product from the HWC™ range, which will continue to be expanded throughout 2015.

## LEGEND

-  Weather Resistant
-  PAR38
-  Halogen
-  G9
-  Sensor
-  LED
-  Solar
-  Battery



# 01

## SECURITY LIGHTING & SENSORS

PAGES 4-49

# 02

## ALARM SYSTEMS

PAGES 50-73



# 03

## CLOSED CIRCUIT TV

PAGES 74-81

# 04

## COMMERCIAL PRODUCTS

PAGES 82-95



# 01

NEW PRODUCTS  
IN THIS SECTION

## LED Spotlights



Pages 6-7

## MIGHTYLITE LED Floodlights



Pages 8-10

## P-LUX LED Lanterns



Pages 16-21

## High Frequency LED Sensor Globes



Page 30

## MIGHTYLITE Solar LED Floodlights



Pages 11-12

# 01

## SECURITY LIGHTING & SENSORS

LED Spotlights 10W .....	6
LED Spotlights 20W .....	7
LED Floodlights 16W.....	8
LED Floodlights 28W .....	9
LED Floodlights 50W.....	10
LED Solar Floodlight 16W with Motion Sensor .....	11
LED Solar Floodlight 28W with Motion Sensor .....	12
Bulkhead 12W with Motion Sensor .....	13
Bulkhead 12W with Motion Sensor .....	14
LED Solar Floodlight 200W .....	15
P-LUX LED 8W Lantern with Motion Sensor .....	16-21
Twin Spot Sensors E27 .....	22
Single Spot Sensors E27 .....	23
Single & Twin Spot Sensors with 20W CFL Lamp .....	24
Twin & Single Halogen Sensors, G9.....	25-26
Single & Twin PVC Lamp Holder Pack .....	27
Single & Twin PVC Lamp Holder Pack with CFL Lamp.....	28
Twin & Single Halogen Lamp Pack, G9.....	29
High Frequency LED Sensor Globes.....	30-31
20W Energy Saving Lamp .....	32
Halogen Light Globes.....	33-34
Bi Pin Halogen Lamps.....	35
Stand Alone Sensors.....	36-41
Twilight Switch .....	42
Flush Mounted Sensors .....	43-46
Presence Detectors .....	47-49

### LED SPOTLIGHTS 10W



55-136



55-139

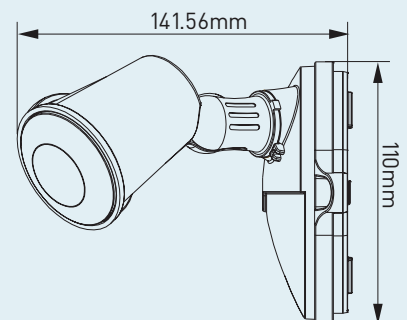
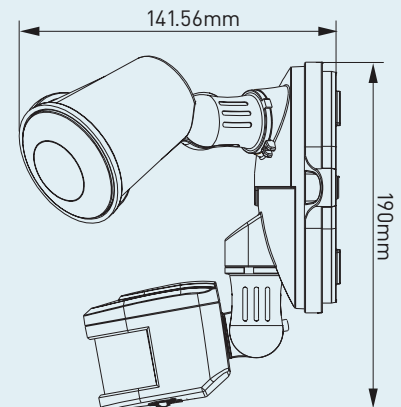


Description	Colour	Model
LED Spotlight 10W with Motion Sensor	White	55-136
LED Spotlight 10W with Motion Sensor	Black	55-137
LED Spotlight 10W	White	55-138
LED Spotlight 10W	Black	55-139

- Manual override
- Timing & Lux adjustments
- Pre-wired cable
- Stainless steel screws
- Polycarbonate ABS construction

#### TECHNICAL DATA

	Sensor	Non-Sensor
<b>Mounting</b>	Wall/ceiling	Wall/ceiling
<b>Sensor Adjustment</b>	180°	-
<b>Sensor Type</b>	Passive IR	-
<b>Detection Range</b>	9m (side), 12m (front)	-
<b>Detection Angle</b>	140°	-
<b>Time on Adjustment</b>	5 sec to 5 mins	-
<b>Lux Setting (Lux)</b>	0 to 2000	-
<b>Light Intensity (Lumens)</b>	850	850
<b>Colour Temperature</b>	6400K	6400K
<b>SMD</b>	Epistar	Epistar
<b>Voltage</b>	100 to 240V AC 50Hz	100 to 240V AC 50Hz
<b>Operating Temperature</b>	-20° C to +50° C	-20° C to +50° C
<b>Environmental Protection</b>	IP54	IP54
<b>Cable</b>	1.5m pre-wired cable	1.5m pre-wired cable



LED SPOTLIGHTS 20W



55-224



55-227

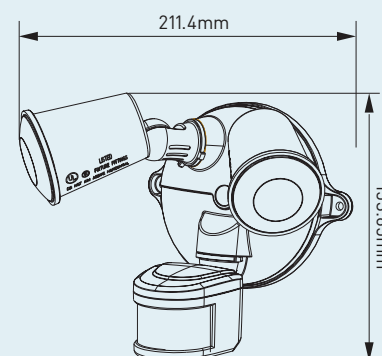
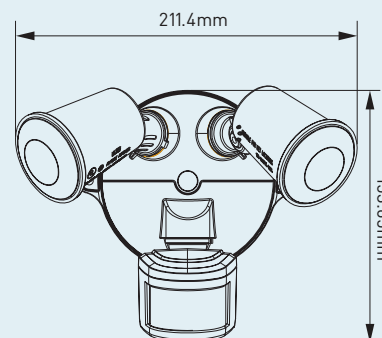


Description	Colour	Model
LED Spotlight 20W with Motion Sensor	White	55-224
LED Spotlight 20W with Motion Sensor	Black	55-225
LED Spotlight 20W	White	55-226
LED Spotlight 20W	Black	55-227

- Manual override on some models only
- Timing & Lux adjustments
- Pre-wired cable
- Stainless steel screws
- Polycarbonate ABS construction

TECHNICAL DATA

	Sensor	Non-Sensor
<b>Mounting</b>	Wall/ceiling	Wall/ceiling
<b>Sensor Adjustment</b>	180°	-
<b>Sensor Type</b>	Passive IR	-
<b>Detection Range</b>	9m (side), 12m (front)	-
<b>Detection Angle</b>	140°	-
<b>Time on Adjustment</b>	5 sec to 5 mins	-
<b>Lux Setting (Lux)</b>	0 to 2000	-
<b>Light Intensity (Lumens)</b>	1700	1700
<b>Colour Temperature</b>	6400K	6400K
<b>SMD</b>	Epistar	Epistar
<b>Voltage</b>	100 to 240V AC 50Hz	100 to 240V AC 50Hz
<b>Operating Temperature</b>	-20° C to +50° C	-20° C to +50° C
<b>Environmental Protection</b>	IP54	IP54
<b>Cable</b>	1.5m pre-wired cable	1.5m pre-wired cable



### LED FLOODLIGHTS 16W MIGHTYLITE



56-100



56-103

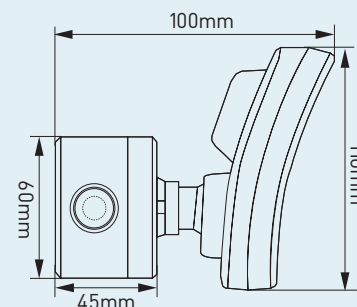
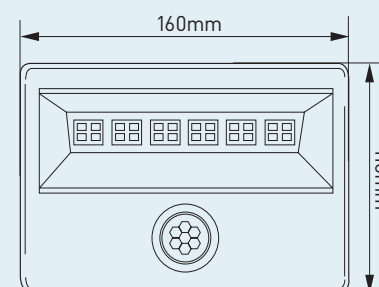
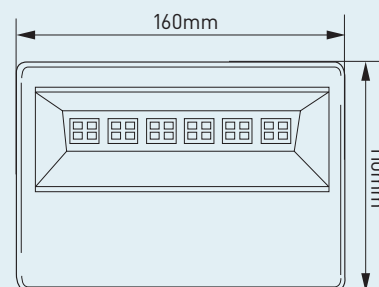


Description	Colour	Model
LED Floodlight 16W	Black	56-100
LED Floodlight 16W	White	56-101
LED Floodlight 16W with Motion Sensor	Black	56-102
LED Floodlight 16W with Motion Sensor	White	56-103

- Manual override on sensor models only
- Stainless steel screws
- Universal junction box
- Compression gland
- Mounting bracket
- Aluminium & polycarbonate construction

#### TECHNICAL DATA

	Sensor	Non-Sensor
<b>Mounting</b>	Wall/ceiling	Wall/ceiling
<b>Sensor Adjustment</b>	Fixed	Fixed
<b>Sensor Type</b>	Passive IR	-
<b>Detection Range</b>	10 to 12m	-
<b>Detection Angle</b>	120°	-
<b>Time on Adjustment</b>	15 sec to 5 mins	-
<b>Lux Setting (Lux)</b>	0 to 2000	-
<b>Light Intensity (Lumens)</b>	1200	1200
<b>Colour Temperature</b>	5400K	5400K
<b>SMD</b>	Epistar	Epistar
<b>Voltage</b>	230V AC 50Hz	230V AC 50Hz
<b>Operating Temperature</b>	-20° C to +60° C	-20° C to +60° C
<b>Environmental Protection</b>	IP65	IP65
<b>Cable</b>	-	-





# LED FLOODLIGHTS 28W MIGHTYLITE



56-104



56-107

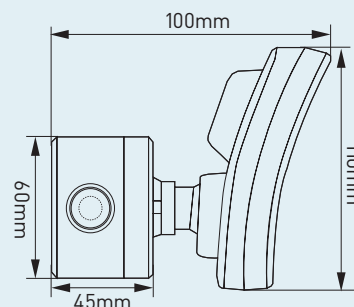
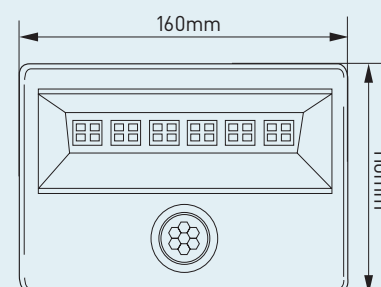
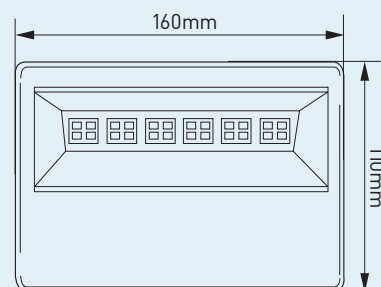


Description	Colour	Model
LED Floodlight 28W	Black	56-104
LED Floodlight 28W	White	56-105
LED Floodlight 28W with Motion Sensor	Black	56-106
LED Floodlight 28W with Motion Sensor	White	56-107

- Manual override on sensor models only
- Stainless steel screws
- Universal junction box
- Compression gland
- Mounting bracket
- Aluminium & polycarbonate construction

## TECHNICAL DATA

	Sensor	Non-Sensor
<b>Mounting</b>	Wall/ceiling	Wall/ceiling
<b>Sensor Adjustment</b>	Fixed	Fixed
<b>Sensor Type</b>	Passive IR	-
<b>Detection Range</b>	10 to 12m	-
<b>Detection Angle</b>	120°	-
<b>Time on Adjustment</b>	15 sec to 5 mins	-
<b>Lux Setting (Lux)</b>	0 to 2000	-
<b>Light Intensity (Lumens)</b>	2300	2300
<b>Colour Temperature</b>	5400K	5400K
<b>SMD</b>	Epistar	Epistar
<b>Voltage</b>	230V AC 50Hz	230V AC 50Hz
<b>Operating Temperature</b>	-20° C to +60° C	-20° C to +60° C
<b>Environmental Protection</b>	IP65	IP65
<b>Cable</b>	-	-



# LED FLOODLIGHTS 50W MIGHTYLITE



56-108

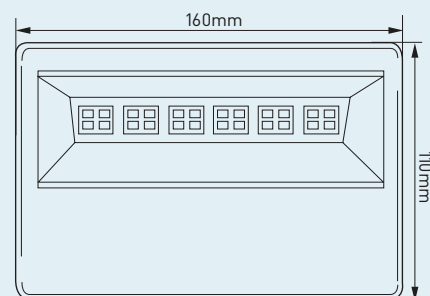


56-109



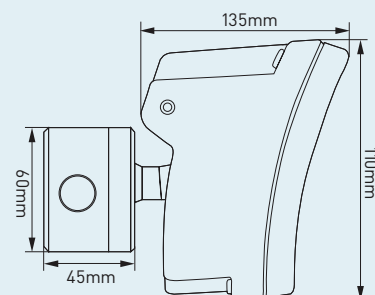
Description	Colour	Model
LED Floodlight 50W	Black	56-108
LED Floodlight 50W	White	56-109

- Stainless steel screws
- Universal junction box
- Compression gland
- Mounting bracket
- Aluminium & polycarbonate construction



## TECHNICAL DATA

Mounting	Wall/ceiling
Sensor Adjustment	-
Sensor Type	-
Detection Range	-
Detection Angle	-
Time on Adjustment	-
Lux Setting (Lux)	-
Light Intensity (Lumens)	4200
Colour Temperature	5400K
SMD	Epistar
Voltage	230V AC 50Hz
Operating Temperature	-20° C to +60° C
Environmental Protection	IP65
Cable	-



# LED SOLAR FLOODLIGHT 16W WITH MOTION SENSOR MIGHTYLITE



**Battery Condition 100%**  
Operates on Med Light from Dusk till Dawn  
Operates on Max Light for 30 secs after PIR detection

**Battery Condition 60%**  
Operates on Min Light from Dusk till Dawn  
Operates on Max Light for 20 secs after PIR detection

**Battery Condition 35%**  
PIR function only  
Operates on Max Light for 10 secs after PIR detection



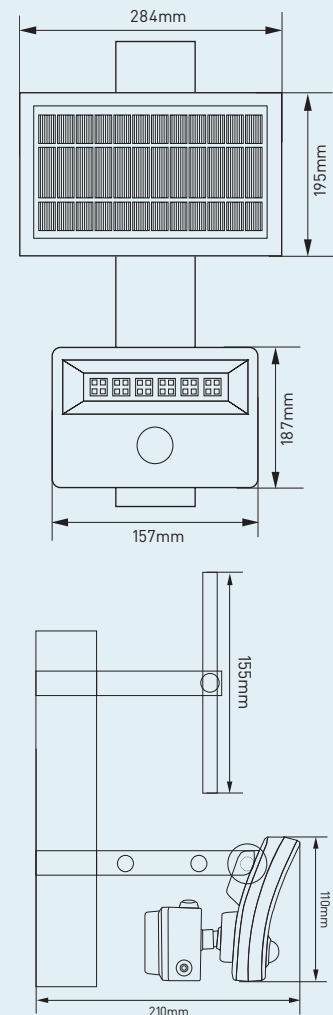
56-129

Description	Colour	Model
LED Solar Floodlight 16W with Motion Sensor	Black	56-129

- Lithium battery
- Battery condition indicator
- Battery charging time: 4 to 8 hrs
- Digital charging controller
- Battery capacity: 12Ah
- 36W solar panel
- Mounting brackets
- Aluminium & polycarbonate construction
- Stainless steel screws

## TECHNICAL DATA

<b>Mounting</b>	Wall/Ceiling
<b>Sensor Adjustment</b>	Fixed
<b>Sensor Type</b>	Passive IR
<b>Detection Range</b>	10m
<b>Detection Angle</b>	120°
<b>Time on Adjustment</b>	Depends on battery condition
<b>Lux Setting (Lux)</b>	Dusk till Dawn
<b>Light Intensity (Lumens)</b>	1200
<b>Colour Temperature</b>	5400K
<b>SMD</b>	24 LED Array
<b>Voltage</b>	4.2V DC
<b>Operating Temperature</b>	-20° C to +60° C
<b>Environmental Protection</b>	IP65
<b>Cable</b>	-



# LED SOLAR FLOODLIGHT 28W WITH MOTION SENSOR MIGHTYLITE



**Battery Condition 100%**  
Operates on Med Light from Dusk till Dawn  
Operates on Max Light for 30 secs after PIR detection

**Battery Condition 60%**  
Operates on Min Light from Dusk till Dawn  
Operates on Max Light for 20 secs after PIR detection

**Battery Condition 35%**  
PIR function only  
Operates on Max Light for 10 secs after PIR detection



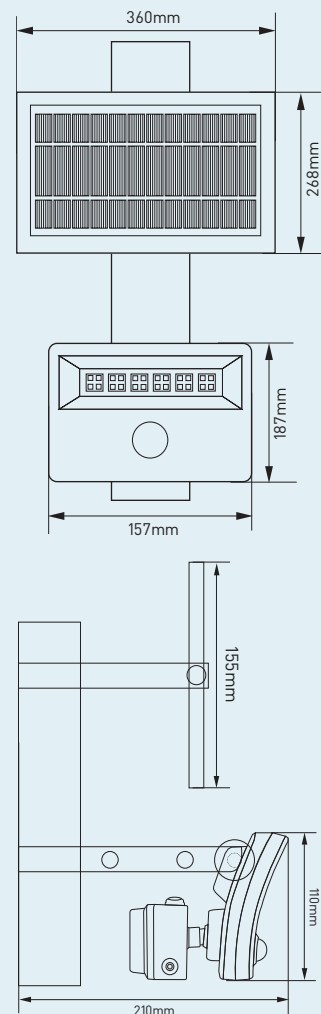
56-128

Description	Colour	Model
LED Floodlight 28W with Motion Sensor	Black	56-128

- Lithium battery
- Battery condition indicator
- Battery charging time: 4 to 8 hrs
- Digital charging controller
- Battery capacity: 18Ah
- 60W solar panel
- Mounting brackets
- Aluminium & polycarbonate construction
- Stainless steel screws

## TECHNICAL DATA

<b>Mounting</b>	Wall
<b>Sensor Adjustment</b>	Fixed
<b>Sensor Type</b>	Passive IR
<b>Detection Range</b>	10m
<b>Detection Angle</b>	120°
<b>Time on Adjustment</b>	Depends on battery condition
<b>Lux Setting (Lux)</b>	Dusk till Dawn
<b>Light Intensity (Lumens)</b>	2300
<b>Colour Temperature</b>	5400K
<b>SMD</b>	24 LED Array
<b>Voltage</b>	4.2V DC
<b>Operating Temperature</b>	-20° C to +60° C
<b>Environmental Protection</b>	IP65
<b>Cable</b>	-



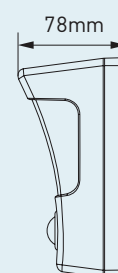
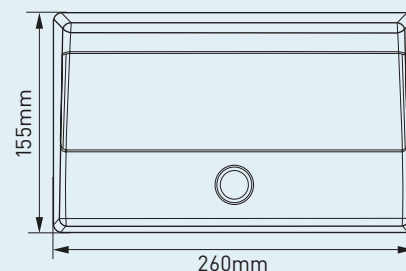
## BULKHEAD 12W WITH MOTION SENSOR MIGHTYLITE



59-100

Description	Colour	Model
Bulkhead 12W with Motion Sensor	Black	59-100
Bulkhead 12W with Motion Sensor	White	59-103

- Provides continuous low level courtesy light from dusk till dawn
- Manual override
- Timing & Lux adjustment
- Stainless steel screws
- Polycarbonate construction
- Landscape mounting



### TECHNICAL DATA

<b>Mounting</b>	Wall
<b>Sensor Adjustment</b>	Fixed
<b>Sensor Type</b>	Passive IR
<b>Detection Range</b>	8 to 12m
<b>Detection Angle</b>	120°
<b>Time on Adjustment</b>	5 sec to 15 mins
<b>Lux Setting (Lux)</b>	5 to 2000 (12W high & 3W standby mode)
<b>Light Intensity (Lumens)</b>	1200
<b>Colour Temperature</b>	5700K
<b>SMD</b>	60 LED Array
<b>Voltage</b>	230V AC 50 Hz
<b>Operating Temperature</b>	-32° C to +60° C
<b>Environmental Protection</b>	IP65
<b>Cable</b>	-

# BULKHEAD 12W WITH MOTION SENSOR MIGHTYLITE



59-101

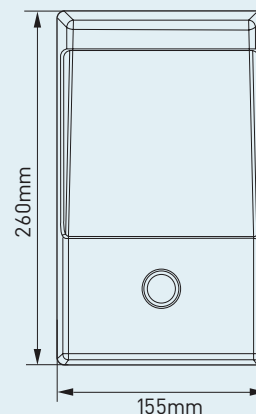


Description	Colour	Model
Bulkhead 12W with Motion Sensor	Black	59-101
Bulkhead 12W with Motion Sensor	White	59-104

- Provides continuous low level courtesy light from dusk till dawn
- Manual override
- Timing & Lux adjustment
- Stainless steel screws
- Polycarbonate construction
- Portrait mounting

## TECHNICAL DATA

<b>Mounting</b>	Wall/ceiling
<b>Sensor Adjustment</b>	Fixed
<b>Sensor Type</b>	Passive IR
<b>Detection Range</b>	8 to 12m
<b>Detection Angle</b>	120°
<b>Time on Adjustment</b>	5 sec to 5 mins
<b>Lux Setting (Lux)</b>	5 to 2000 (12W high & 3W standby mode)
<b>Light Intensity (Lumens)</b>	1200
<b>Colour Temperature</b>	5700K
<b>SMD</b>	60 LED Array
<b>Voltage</b>	230V AC 50Hz
<b>Operating Temperature</b>	-32° C to +60° C
<b>Environmental Protection</b>	IP65
<b>Cable</b>	-



## LED FLOODLIGHT 200W MIGHTYLITE

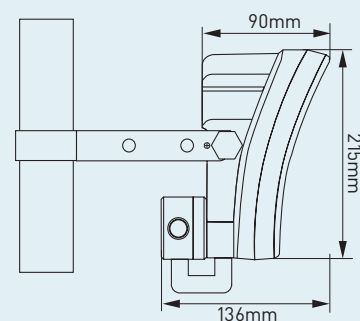
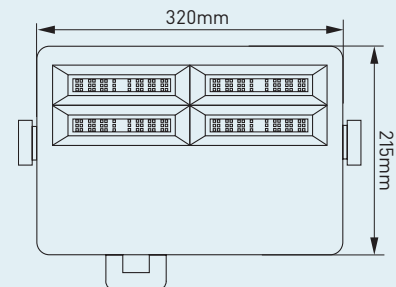


58-100

Description	Colour	Model
200W LED Floodlight	Black	58-100

- Separately switched quad core driver
- Stainless steel screws
- Trunnion bracket

- Tough polycarbonate front fascia
- Aluminium back plate



### TECHNICAL DATA

<b>Mounting</b>	Wall/ceiling
<b>Sensor Adjustment</b>	-
<b>Sensor Type</b>	-
<b>Detection Range</b>	-
<b>Detection Angle</b>	-
<b>Time on Adjustment</b>	-
<b>Lux Setting (Lux)</b>	-
<b>Light Intensity (Lumens)</b>	20,000
<b>Colour Temperature</b>	5400K
<b>SMD</b>	Epistar
<b>Voltage</b>	230V AC 50Hz
<b>Operating Temperature</b>	-30° C to +50° C
<b>Environmental Protection</b>	IP65
<b>Cable</b>	-

# P-LUX LED 8W LANTERN WITH MOTION SENSOR



57-100



LUX DOWN

LUX UP

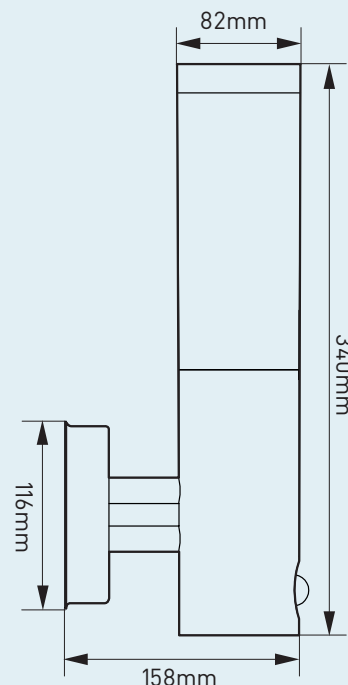


Description	Colour	Model
P-LUX LED 8W Lantern with Motion Sensor	Silver	57-100

- With P-LUX™ technology
- Switches on automatically at dusk
- Switches off automatically at dawn
- Temperature compensating PIR
- Stainless steel & polycarbonate construction

## TECHNICAL DATA

Mounting	Wall
Sensor Adjustment	Fixed
Sensor Type	Passive IR
Detection Range	4.5m
Detection Angle	120°
Time on Adjustment	45 to 50 sec (8W High & 2W Standby Mode)
Lux Setting (Lux)	20 On/120 Off
Light Intensity (Lumens)	600
Colour Temperature	3000K
SMD	EPISTAR
Voltage	190 to 253V AC 50Hz
Operating Temperature	-20° C to +60° C
Environmental Protection	IP44
Cable	-





## P-LUX LED 8W LANTERN WITH MOTION SENSOR



57-101



LUX DOWN

LUX UP

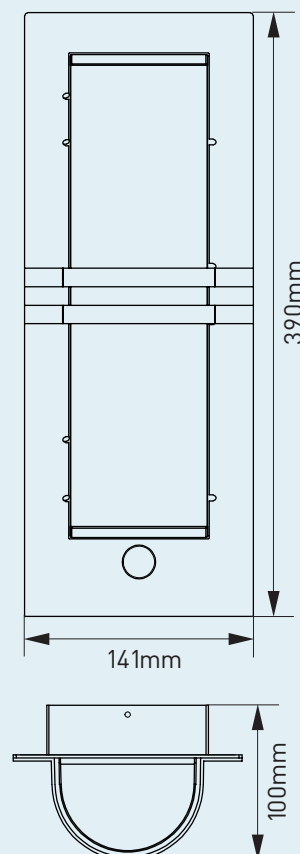


Description	Colour	Model
P-LUX LED 8W Lantern with Motion Sensor	Silver	57-101

- With P-LUX™ technology
- Switches on automatically at dusk
- Switches off automatically at dawn
- Temperature compensating PIR
- Stainless steel & polycarbonate construction

### TECHNICAL DATA

Mounting	Wall
Sensor Adjustment	Fixed
Sensor Type	Passive IR
Detection Range	4.5m
Detection Angle	120°
Time on Adjustment	45 to 50 sec (8W High & 2W Standby Mode)
Lux Setting (Lux)	20 On/120 Off
Light Intensity (Lumens)	600
Colour Temperature	3000K
SMD	EPISTAR
Voltage	190 to 253V AC 50Hz
Operating Temperature	-20° C to +60° C
Environmental Protection	IP44
Cable	-



# P-LUX LED 8W LANTERN WITH MOTION SENSOR



LUX DOWN

LUX UP

57-102

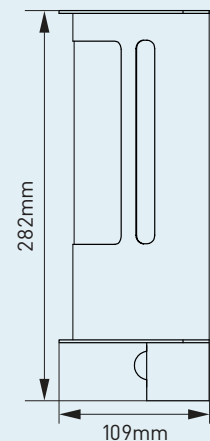
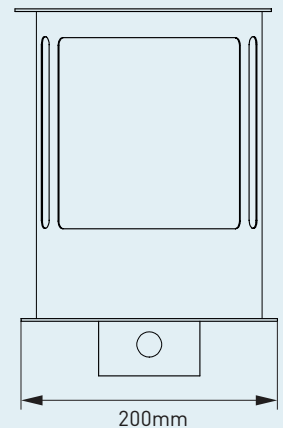


Description	Colour	Model
P-LUX LED 8W Lantern with Motion Sensor	Silver	57-102

- With P-LUX™ technology
- Switches on automatically at dusk
- Switches off automatically at dawn
- Temperature compensating PIR
- Stainless steel & polycarbonate construction

## TECHNICAL DATA

<b>Mounting</b>	Wall
<b>Sensor Adjustment</b>	Fixed
<b>Sensor Type</b>	Passive IR
<b>Detection Range</b>	4.5m
<b>Detection Angle</b>	120°
<b>Time on Adjustment</b>	45 to 50 sec (8W High & 2W Standby Mode)
<b>Lux Setting (Lux)</b>	20 On/120 Off
<b>Light Intensity (Lumens)</b>	600
<b>Colour Temperature</b>	3000K
<b>SMD</b>	EPISTAR
<b>Voltage</b>	190 to 253V AC 50Hz
<b>Operating Temperature</b>	-20° C to +60° C
<b>Environmental Protection</b>	IP44
<b>Cable</b>	-



**P-LUX TRADITIONAL LED 8W LANTERN WITH MOTION SENSOR**

LUX DOWN

LUX UP

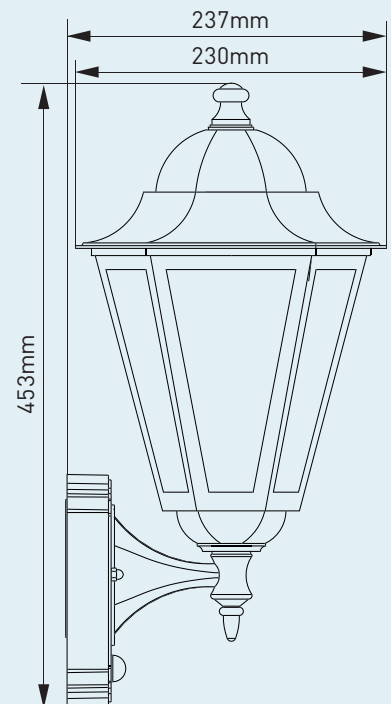
**57-103**

Description	Colour	Model
P-LUX LED 8W Lantern with Motion Sensor	Black	57-103

- With P-LUX™ technology
- Switches on automatically at dusk
- Switches off automatically at dawn
- Temperature compensating PIR
- Stainless steel & polycarbonate construction

**TECHNICAL DATA**

<b>Mounting</b>	Wall
<b>Sensor Adjustment</b>	Fixed
<b>Sensor Type</b>	Passive IR
<b>Detection Range</b>	4.5m
<b>Detection Angle</b>	120°
<b>Time on Adjustment</b>	45 to 50 sec (8W High & 2W Standby Mode)
<b>Lux Setting (Lux)</b>	20 On/120 Off
<b>Light Intensity (Lumens)</b>	600
<b>Colour Temperature</b>	3000K
<b>SMD</b>	EPISTAR
<b>Voltage</b>	190 to 253V AC 50Hz
<b>Operating Temperature</b>	-20° C to +60° C
<b>Environmental Protection</b>	IP44
<b>Cable</b>	-



# P-LUX TRADITIONAL 8W LED LANTERN WITH MOTION SENSOR



LUX DOWN



LUX UP

57-104

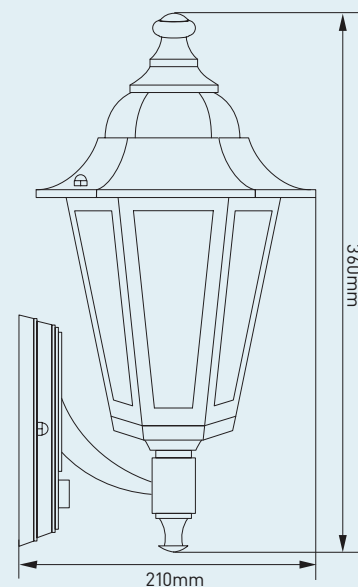


Description	Colour	Model
P-LUX LED 8W Lantern with Motion Sensor	Black	57-104

- With P-LUX™ technology
- Switches on automatically at dusk
- Switches off automatically at dawn
- Temperature compensating PIR
- Stainless steel & polycarbonate construction

## TECHNICAL DATA

Mounting	Wall
Sensor Adjustment	Fixed
Sensor Type	Passive IR
Detection Range	4.5m
Detection Angle	120°
Time on Adjustment	45 to 50 sec (8W High & 2W Standby Mode)
Lux Setting (Lux)	20 On/120 Off
Light Intensity (Lumens)	600
Colour Temperature	3000K
SMD	EPISTAR
Voltage	190 to 253V AC 50Hz
Operating Temperature	-20° C to +60° C
Environmental Protection	IP44
Cable	-



# P-LUX TRADITIONAL 8W LED LANTERN WITH MOTION SENSOR



LUX DOWN



LUX UP

57-105

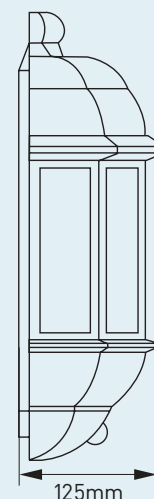
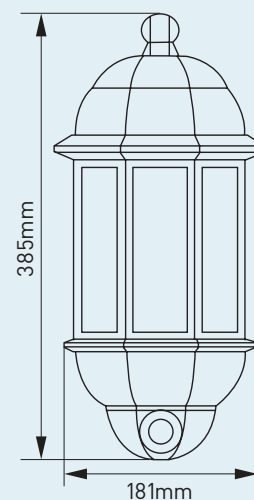


Description	Colour	Model
P-LUX LED 8W Lantern with Motion Sensor	White	57-105

- With P-LUX™ technology
- Switches on automatically at dusk
- Switches off automatically at dawn
- Temperature compensating PIR
- Stainless steel & polycarbonate construction

## TECHNICAL DATA

Mounting	Wall
Sensor Adjustment	Fixed
Sensor Type	Passive IR
Detection Range	4.5m
Detection Angle	120°
Time on Adjustment	45 to 50 sec (8W High & 2W Standby Mode)
Lux Setting (Lux)	20 On/120 Off
Light Intensity (Lumens)	600
Colour Temperature	3000K
SMD	EPISTAR
Voltage	190 to 253V AC 50Hz
Operating Temperature	-20° C to +60° C
Environmental Protection	IP44
Cable	-



### TWIN SPOT SENSORS E27



55-021



55-023

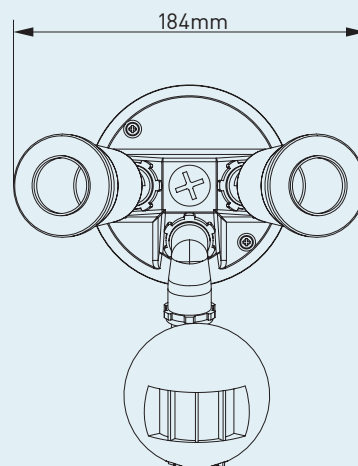
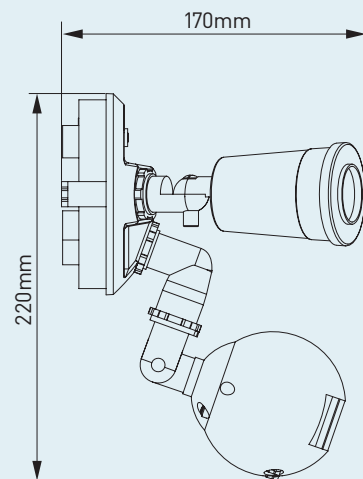


Description	Colour	Model
Twin Spot Sensor	White	55-021
Twin Spot Sensor	Black	55-023

- Manual Override
- Adjustable time, distance and Lux
- Easy Installation; pre-wired
- Stainless steel screws
- ABS construction

#### TECHNICAL DATA

Mounting	Wall/Ceiling
Sensor Adjustment	180°
Sensor Type	Passive IR
Detection Range	110° Elliptical View Field, 9m on each Side, 12m Forward
Detection Angle	110°
Time on Adjustment	6 sec to 12 mins
Lux Setting (Lux)	5 to 2000
Light Intensity (Lumens)	-
Colour Temperature	-
Lamp Base	E27
Voltage	240V AC 50Hz
Operating Temperature	-20° C to +60° C
Environmental Protection	IP44
Cable	-



**SINGLE SPOT SENSORS E27**



55-221



55-223

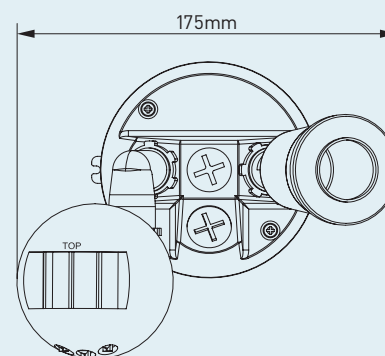
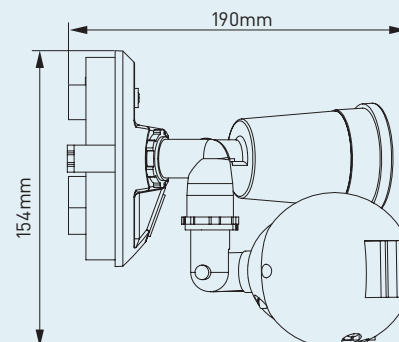


Description	Colour	Model
Single Spot Sensor	White	55-221
Single Spot Sensor	Black	55-223

- Manual Override
- Adjustable time, distance and Lux
- Easy Installation; pre-wired
- Stainless steel screws
- ABS construction

**TECHNICAL DATA**

<b>Mounting</b>	Wall/Ceiling
<b>Sensor Adjustment</b>	180°
<b>Sensor Type</b>	Passive IR
<b>Detection Range</b>	110° Elliptical View Field, 9m on each Side, 12m Forward
<b>Detection Angle</b>	110°
<b>Time on Adjustment</b>	6 sec to 12 mins
<b>Lux Setting (Lux)</b>	5 to 2000
<b>Light Intensity (Lumens)</b>	-
<b>Colour Temperature</b>	-
<b>Lamp Base</b>	E27
<b>Voltage</b>	240V AC 50Hz
<b>Operating Temperature</b>	-20° C to +60° C
<b>Environmental Protection</b>	IP44
<b>Cable</b>	-



### SINGLE & TWIN SPOT SENSORS WITH 20W CFL LAMP



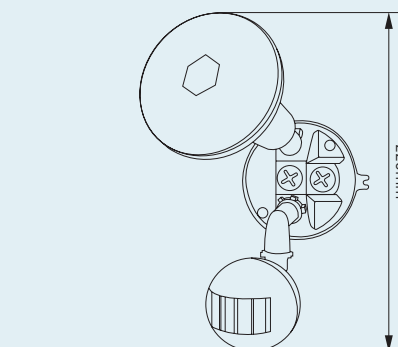
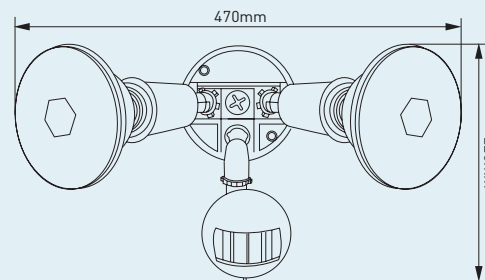
55-006



55-019



Description	Colour	Model
Twin Spot Sensor PAR38, 20W CFL	White	55-005
Twin Spot Sensor PAR38, 20W CFL	Black	55-006
Single Spot Sensor PAR38, 20W CFL	White	55-012
Single Spot Sensor PAR38, 20W CFL	Black	55-019



- Manual override
- Adjustable time, distance and Lux
- Easy installation; pre-wired
- Stainless steel screws
- 20W equivalent to a 120W incandescent globe

#### TECHNICAL DATA

Mounting	Wall/Ceiling
Sensor Adjustment	180°
Sensor Type	Passive IR
Detection Range	110° Elliptical View Field, 9m on each Side, 12m Forward
Detection Angle	110°
Time on Adjustment	6 sec to 12 mins
Lux Setting (Lux)	5 to 2000
Light Intensity (Lumens)	1200/2400
Colour Temperature	6400K
Lamp Base	E27
Voltage	240V AC 50Hz
Operating Temperature	-20° C to +60° C
Environmental Protection	IP44
Cable	-



TWIN & SINGLE HALOGEN SENSORS, G9



55-121



55-124

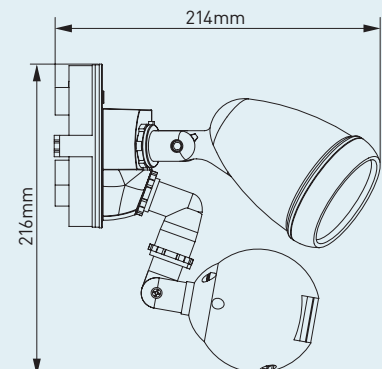
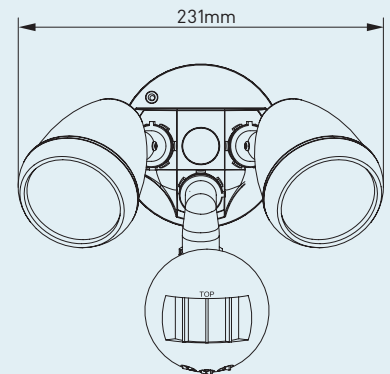


Description	Colour	Model
Twin Halogen Sensor, 40W G9	White	55-121
Single Halogen Sensor, 40W G9	White	55-122
Twin Halogen Sensor, 40W G9	Black	55-123
Single Halogen Sensor, 40W G9	Black	55-124

- Manual override
- Adjustable time, distance and Lux
- Easy installation; pre-wired
- Stainless steel screws
- G9 tungsten halogen lamp(s) included
- Ceramic lamp holder(s)

TECHNICAL DATA

Mounting	Wall/Ceiling
Sensor Adjustment	180°
Sensor Type	Passive IR
Detection Range	110° Elliptical View Field, 9m on each Side, 12m Forward
Detection Angle	110°
Time on Adjustment	6 sec to 12 mins
Lux Setting (Lux)	5 to 2000
Light Intensity (Lumens)	490/980
Colour Temperature	2700K
Lamp Base	G9
Voltage	240V AC 50Hz
Operating Temperature	-20° C to +60° C
Environmental Protection	IP44
Cable	-



### TWIN & SINGLE HALOGEN SENSORS, G9



55-129



55-131

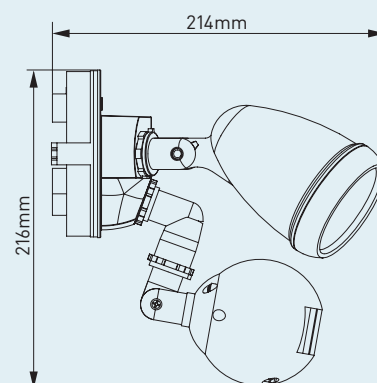
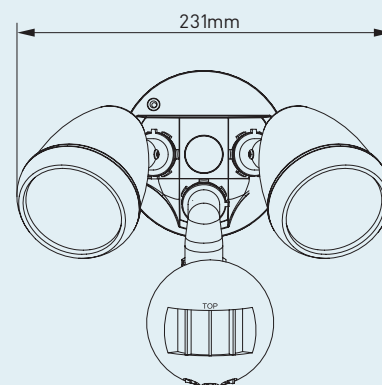


Description	Colour	Model
Twin Halogen Sensor, 40W G9	Silver	55-129
Twin Halogen Sensor, 40W G9	Beige	55-130
Single Halogen Sensor, 40W G9	Silver	55-131
Single Halogen Sensor, 40W G9	Beige	55-132

- Manual override
- Adjustable time, distance and Lux
- Easy installation; pre-wired
- Stainless steel screws
- G9 tungsten halogen lamp(s) included
- Ceramic lamp holder(s)

#### TECHNICAL DATA

Mounting	Wall/Ceiling
Sensor Adjustment	180°
Sensor Type	Passive IR
Detection Range	110° Elliptical View Field, 9m on each Side, 12m Forward
Detection Angle	110°
Time on Adjustment	6 sec to 12 mins
Lux Setting (Lux)	0 to 2000
Light Intensity (Lumens)	490/980
Colour Temperature	2700K
Lamp Base	G9
Voltage	240V AC 50Hz
Operating Temperature	-20° C to +60° C
Environmental Protection	IP44
Cable	-



**TWIN & SINGLE PVC LAMP HOLDER PACK, E27**



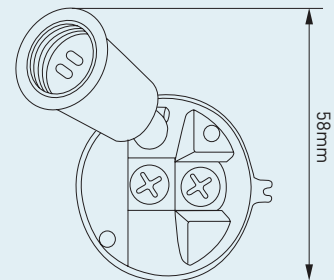
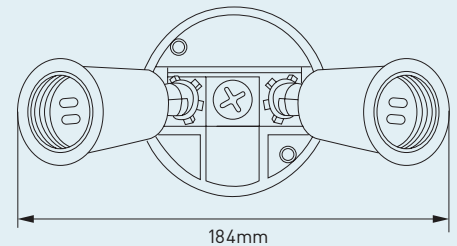
55-013



55-015

Description	Colour	Model
Twin Lamp Holder Pack	Black	55-013
Twin Lamp Holder Pack	White	55-014
Single Lamp Holder Pack	Black	55-015
Single Lamp Holder Pack	White	55-016

- Stainless steel screws
- PVC construction
- Easy installation
- Pre-wired
- Adjustable lampholder



**TECHNICAL DATA**

<b>Mounting</b>	Wall/Ceiling
<b>Lux Setting (Lux)</b>	-
<b>Light Intensity (Lumens)</b>	-
<b>Colour Temperature</b>	-
<b>Lamp Base</b>	E27
<b>Voltage</b>	240V AC 50Hz
<b>Operating Temperature</b>	-20° C to +60° C
<b>Environmental Protection</b>	IP44
<b>Cable</b>	-

TWIN & SINGLE LAMP HOLDER PACK WITH CFL LAMP



55-002



55-008

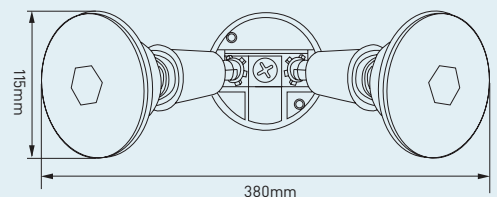
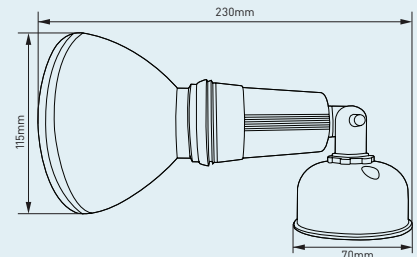


Description	Colour	Model
Single Lamp Holder Pack, PAR38 20W CFL	White	55-002
Single Lamp Holder Pack, PAR38 20W CFL	Black	55-009
Twin Lamp Holder Pack, PAR38 20W CFL	White	55-007
Twin Lamp Holder Pack, PAR38 20W CFL	Black	55-008

- 20W equivalent to a 120W incandescent globe
- Adjustable lampholder
- Easy installation; pre-wired
- Stainless steel screws
- PVC construction

TECHNICAL DATA

Mounting	Wall/Ceiling
Lux Setting (Lux)	-
Light Intensity (Lumens)	2400
Colour Temperature	6400K
Lamp Base	E27
Voltage	240V AC 50Hz
Operating Temperature	-20° C to +60° C
Environmental Protection	IP44
Cable	-



## TWIN & SINGLE HALOGEN LAMP PACK, G9



55-113

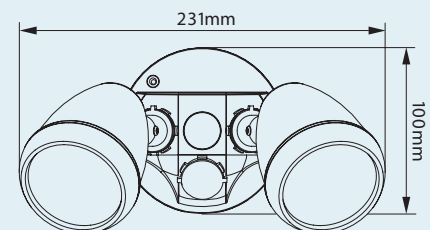
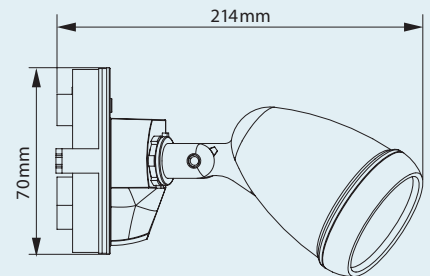


55-116



Description	Colour	Model
Single Halogen Lamp Pack, 40W G9	Black	55-115
Single Halogen Lamp Pack, 40W G9	White	55-116
Twin Halogen Lamp Pack, 40W G9	Black	55-113
Twin Halogen Lamp Pack, 40W G9	White	55-114

- Easy installation; pre-wired
- Single base fits PVC conduit box
- G9 tungsten halogen lamp(s) included
- Ceramic lamp holder(s)
- Stainless steel screws



### TECHNICAL DATA

<b>Mounting</b>	Wall/Ceiling
<b>Lux Setting (Lux)</b>	-
<b>Light Intensity (Lumens)</b>	490/980
<b>Colour Temperature</b>	2700K
<b>Lamp Base</b>	G9
<b>Voltage</b>	240V AC 50Hz
<b>Operating Temperature</b>	-20° C to +60° C
<b>Environmental Protection</b>	IP44
<b>Cable</b>	-

### HIGH FREQUENCY LED SENSOR GLOBES



55-205



55-206

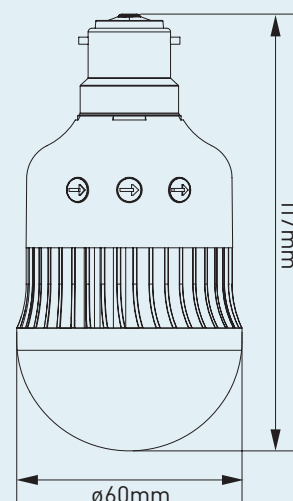
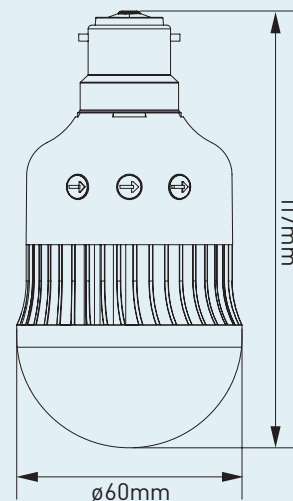


Description	Model
High Frequency Sensor 7W LED Lamp, E27 Base, 3000K	55-205
High Frequency Sensor 7W LED Lamp, B22 Base, 3000K	55-206
High Frequency Sensor 7W LED Lamp, E27 Base, 6000K	55-207
High Frequency Sensor 7W LED Lamp, B22 Base, 6000K	55-208

- Manual override 4 hours
- Timing, Lux and distance adjustment
- Senses through non-metallic materials such as timber, brick walls, glass etc.
- Cannot transmit through water or metal

#### TECHNICAL DATA

<b>Mounting</b>	Wall/Ceiling
<b>Sensor Adjustment</b>	360°
<b>Sensor Type</b>	High Frequency 5.8GHz
<b>Detection Range</b>	8m Adjustable
<b>Detection Angle</b>	360°
<b>Time on Adjustment</b>	5 sec to 5 mins
<b>Lux Setting (Lux)</b>	Minimum 5 Lux
<b>Light Intensity (Lumens)</b>	460
<b>Base Type</b>	E27/BC22
<b>Colour Temperature</b>	3000K, 6000K
<b>Voltage</b>	220 to 240V AC 50Hz
<b>Operating Temperature</b>	0°C to +50°C
<b>Environmental Protection</b>	IP20
<b>Cable</b>	-



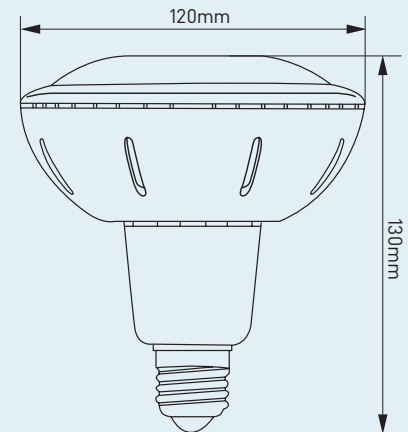
**HIGH FREQUENCY PAR38 SENSOR LAMP****55-209****Description**

High Frequency 16W LED Sensor Lamp

**Model**

55-209

- Manual override 4 hours
- Timing, Lux and distance adjustment
- Senses through non-metallic materials such as timber, brick walls, glass etc.
- Cannot transmit through water or metal

**TECHNICAL DATA**

<b>Mounting</b>	Wall/Ceiling
<b>Sensor Adjustment</b>	360°
<b>Sensor Type</b>	High Frequency 5.8GHz
<b>Detection Range</b>	Wall 2m Ceiling 10m Front, 4m Sides, 8m Adjustable
<b>Detection Angle</b>	360°
<b>Time on Adjustment</b>	30 sec to 5 mins
<b>Lux Setting (Lux)</b>	5 to 2000Lux
<b>Colour Temperature</b>	6000K
<b>Light Intensity (Lumens)</b>	1200
<b>Voltage</b>	220 to 240V AC 50Hz
<b>Operating Temperature</b>	-20°C to +45°C
<b>Environmental Protection</b>	IP65
<b>Cable</b>	-

**20W ENERGY SAVING LAMP**



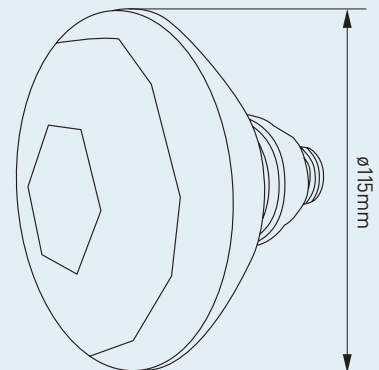
**55-000**

Description	Model
Energy Saving Lamp, 20W, E27	55-000

- For outdoor use

**TECHNICAL DATA**

Base	E27
Colour Temperature	6400K
Average Life	8000 Hours
Equivalent	20W = 120W Incandescent Globe
Light Intensity (Lumens)	1100
Rated Voltage	220 to 240V AC 50/60 Hz
Diameter	120mm ± 3mm
Length	140mm ± 3mm





## HALOGEN LIGHT GLOBES



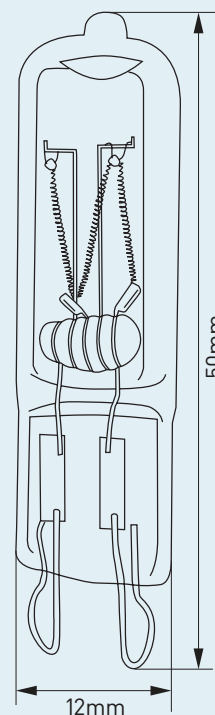
55-200

Description	Model
G9, 100W, 1300 LM, 2800K	55-200
G9, 75W, 950 LM, 2800K	55-201
G9, 60W, 740 LM, 2750K	55-202
G9, 40W, 400 LM, 2700K	55-203
G9, 25W, 170 LM, 2500K	55-204

- Suitable for halogen models with G9 lamp holders

## TECHNICAL DATA

Base	G9
Colour Temperature	2500K to 2800K
Average Life	1500 Hours
Equivalent	-
Rated Voltage	240V
Diameter of Tube	12.8 ± 0.1mm
Length of Tube	51 ± 1mm



HALOGEN LIGHT GLOBES



55-251

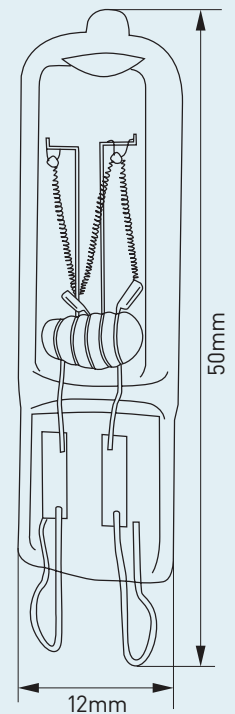


Description	Model
G9, Class C, 53W, 835 LM, 2750K	55-251
G9, Class C, 42W, 630 LM, 2750K	55-252
G9, Class C, 28W, 370 LM, 2700K	55-253
G9, Class C, 18W, 204 LM, 2700K	55-254

- Energy saving G9 lamp
- Suitable for halogen models with G9 lamp holders

TECHNICAL DATA

Base	G9
Colour Temperature	2750K to 2700K
Average Life	1500 Hours
Equivalent	-
Rated Voltage	240V
Diameter of Tube	12.8 ± 0.1mm
Length of Tube	45mm



## BI PIN HALOGEN LAMPS



55-100

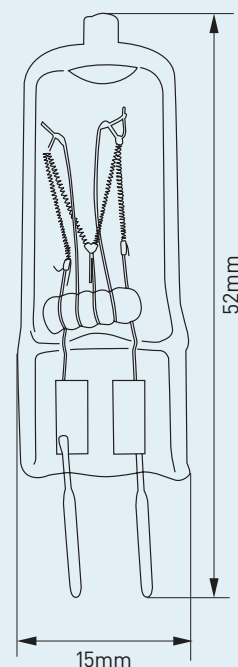


Description	Model
Bi pin, 100W, 1200 LM, 2800K	55-100
Bi pin, 75W, 900 LM, 2700K	55-175
Bi pin, 50W, 430 LM, 2700K	55-150

- Suitable for halogen models with Bi-Pin (GY6.35) lamp holders

## TECHNICAL DATA

Base	Bi pin (GY6.35)
Colour Temperature	2800K to 2700K $\pm$ 100K
Average Life	1500 Hours
Equivalent	-
Rated Voltage	240V
Diameter of Tube	$\Phi$ 14 $\pm$ 0.2mm
Length of Tube	52 $\pm$ 2mm



### STAND ALONE SENSOR, 110 DEGREES



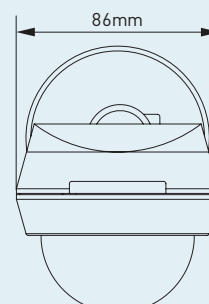
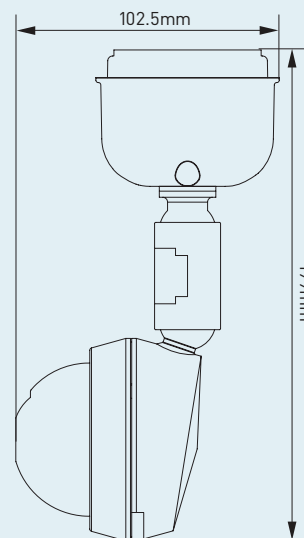
55-105

Description	Colour	Model
Stand Alone Sensor, 110 Degrees	White	55-105

- Manual override
- Time, Lux, distance adjustments
- Energy efficient less than 0.25W in standby mode
- Stainless steel screws
- ABS construction

#### TECHNICAL DATA

<b>Mounting</b>	Wall/Ceiling
<b>Sensor Type</b>	Passive IR
<b>Detection Range</b>	12m to 14m at 2.5m High
<b>Detection Angle</b>	110°
<b>Time on Adjustment</b>	6 sec to 12 mins
<b>Lux Setting (Lux)</b>	0 to 2000
<b>Load</b>	- 1000W (Max) for Incandescent Lights - 500W (Max for Halogen Lights - 250W (Max) for Fluorescent Lights - 150W (Max) for Energy Saving Lights (including CFL & PL) - 200W (Max) for LED Lights
<b>Voltage</b>	220 to 240V 50Hz
<b>Operating Temperature</b>	-20°C to +45°C
<b>Environmental Protection</b>	IP55
<b>Cable</b>	-



## STAND ALONE SENSOR, 220 DEGREES



55-106

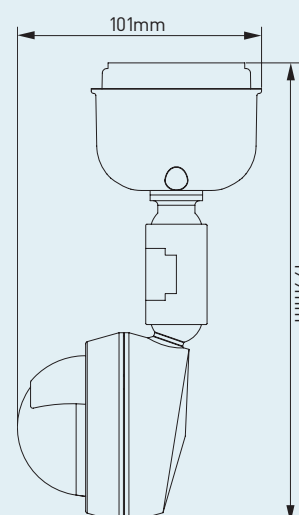
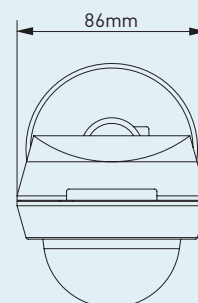


Description	Colour	Model
Stand Alone Sensor, 220 Degrees	White	55-106

- Manual override
- Time, Lux, distance adjustments
- Energy efficient less than 0.25W in standby mode
- Stainless steel screws
- ABS construction

## TECHNICAL DATA

<b>Mounting</b>	Wall/Ceiling
<b>Sensor Type</b>	Passive IR
<b>Detection Range</b>	12m to 14m at 3.5m High
<b>Detection Angle</b>	220°
<b>Time on Adjustment</b>	6 sec to 12 mins
<b>Lux Setting (Lux)</b>	0 to 2000
<b>Load</b>	- 1000W (Max) for Incandescent Lamp - 400VA (Max) for Low voltage Halogen Lamp - 500W (Max for Halogen Lights) - 400VA (Max) Uncompensated for Fluorescent lamp
<b>Voltage</b>	220 to 240V 50Hz
<b>Operating Temperature</b>	-20 °C to +45 °C
<b>Environmental Protection</b>	IP55
<b>Cable</b>	-



**STAND ALONE SENSOR, 300 DEGREES**



55-107

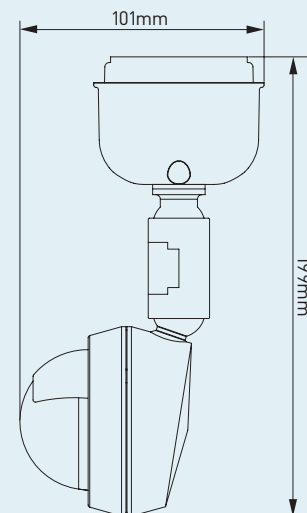
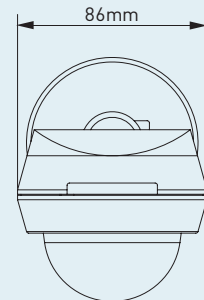


Description	Colour	Model
Stand Alone Sensor, 300 Degrees	White	55-107

- Manual override
- Time, Lux, distance adjustment
- Energy efficient less than 0.25W in standby mode
- Stainless steel screws
- ABS construction

**TECHNICAL DATA**

<b>Mounting</b>	Wall/Ceiling
<b>Sensor Type</b>	Passive IR
<b>Detection Range</b>	12m to 14m at 2.5m High
<b>Detection Angle</b>	300°
<b>Time on Adjustment</b>	6 sec to 12 mins
<b>Lux Setting (Lux)</b>	0 to 2000
<b>Load</b>	- 1000W (Max) for Incandescent Lamp - 400VA (Max) for Low voltage Halogen Lamp - 500W (Max for Halogen Lights) - 400VA (Max) Uncompensated for Fluorescent lamp
<b>Voltage</b>	220 to 240V 50Hz
<b>Operating Temperature</b>	-20°C to +45°C
<b>Environmental Protection</b>	IP55
<b>Cable</b>	-



## STAND ALONE SENSOR, 200 DEGREES



55-036

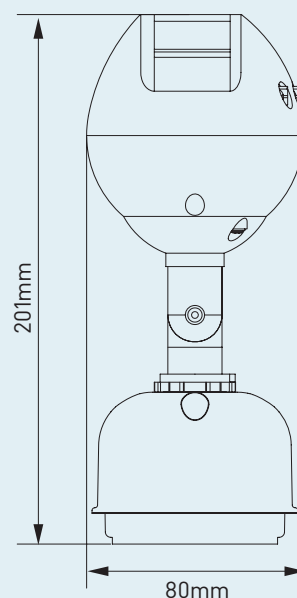
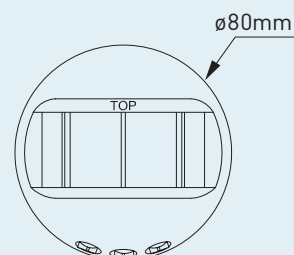


Description	Colour	Model
Stand Alone Sensor, 200 Degrees	White	55-036

- Manual override
- Time, Lux, distance adjustment
- Energy efficient less than 0.25W in standby mode
- Stainless steel screws
- ABS construction

## TECHNICAL DATA

<b>Mounting</b>	Wall/Ceiling
<b>Sensor Type</b>	Passive IR
<b>Detection Range</b>	12m to 14m at 2.5m High
<b>Detection Angle</b>	200°
<b>Time on Adjustment</b>	6 sec to 12 mins
<b>Lux Setting (Lux)</b>	0 to 2000
<b>Load</b>	- 1000W (Max) for Incandescent Lamp - 400VA (Max) for Low voltage Halogen Lamp - 500W (Max for Halogen Lights) - 400VA (Max) Uncompensated for Fluorescent lamp
<b>Voltage</b>	220 to 240V 50Hz
<b>Operating Temperature</b>	-20°C to +45°C
<b>Environmental Protection</b>	IP55
<b>Cable</b>	-



# STAND ALONE SENSOR, 110 DEGREES



55-102

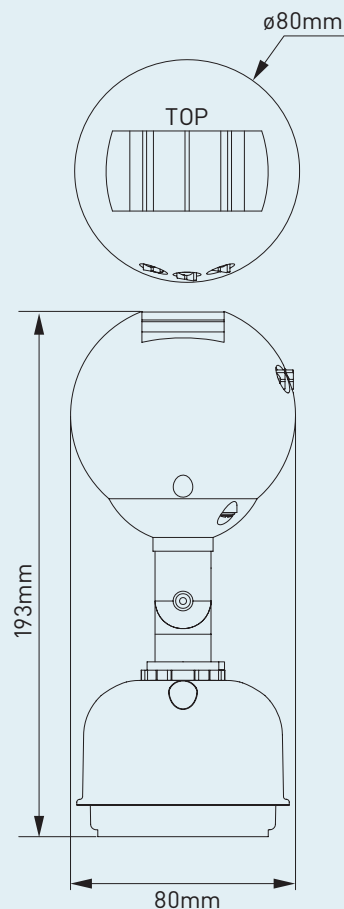


Description	Colour	Model
Stand Alone Sensor, 110 Degree	Black	55-101
Stand Alone Sensor, 110 Degree	White	55-110
Stand Alone Sensor, 110 Degree	Silver	55-102
Stand Alone Sensor, 110 Degree	Beige	55-103

- Manual override
- Adjustable time, distance and Lux
- Power consumption less than 1W
- Stainless steel screws
- ABS construction

## TECHNICAL DATA

<b>Mounting</b>	Wall/Ceiling
<b>Sensor Type</b>	Passive IR
<b>Detection Range</b>	12m at 2.5m High
<b>Detection Angle</b>	110°
<b>Time on Adjustment</b>	6 sec to 12 mins
<b>Lux Setting (Lux)</b>	0 to 2000
<b>Load</b>	- 1000W (Max) for Incandescent Lights - 500W (Max for Halogen Lights - 250W (Max) for Fluorescent Lights - 150W (Max) for Energy Saving Lights (including CFL & PL) - 200W (Max) for LED Lights
<b>Voltage</b>	240V 50Hz
<b>Operating Temperature</b>	-20° C to +40° C
<b>Environmental Protection</b>	IP44
<b>Cable</b>	-





## STAND ALONE SENSOR 12VAC/DC



55-320

### ACCESSORIES

Description	Model
90dB Buzzer	70-415
Replacement Sensor	55-320
Replacement Power Supply	01-121



70-415



01-121

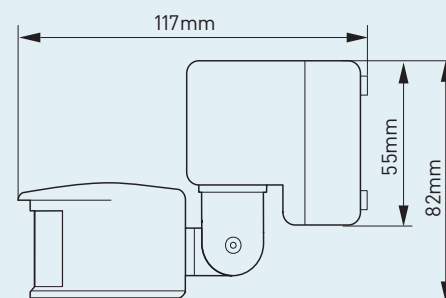
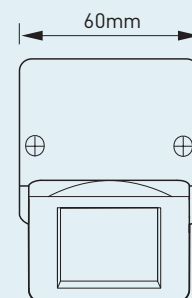


Description	Colour	Model
Stand Alone Sensor, 120 Degrees	White	55-320

- Suitable for garden lighting, solar lighting, boats and caravans
- Adjustable time, distance and Lux
- Stainless steel screws
- ABS construction

### TECHNICAL DATA

<b>Mounting</b>	Wall/Ceiling
<b>Sensor Type</b>	Passive IR
<b>Detection Range</b>	10m at 2.5m High
<b>Detection Angle</b>	120°
<b>Time on Adjustment</b>	6 sec to 12 mins
<b>Lux Setting (Lux)</b>	0 to 2000
<b>Load</b>	- Switching Contact: Free Contact -10A Max for 12-240VAC -10A Max for 12 – 30VDC
<b>Voltage</b>	12VDC/AC, 50 Hz
<b>Operating Temperature</b>	-20°C to +45°C
<b>Environmental Protection</b>	IP44
<b>Cable</b>	-



# TWILIGHT SWITCH



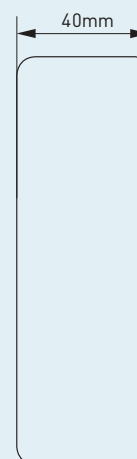
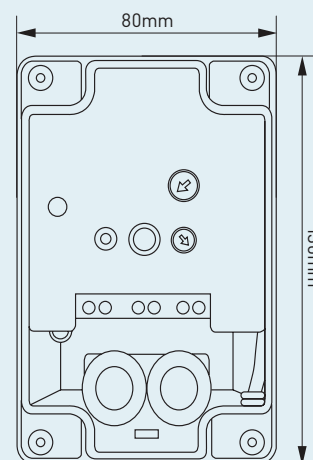
55-055

Description	Colour	Model
Twilight Switch, 10A	White	55-055

- Suitable for lighting and HVAC automation
- 60 sec light on/off delay for preventing false triggering
- Function modes: holiday, Lux learning and test mode
- Lux and time control

## TECHNICAL DATA

<b>Mounting</b>	Wall or Optional Corner Mount Bracket, (Model No. 55-056)
<b>Sensor Adjustment</b>	Fixed
<b>Sensor Type</b>	Passive IR
<b>Detection Range</b>	12m
<b>Detection Angle</b>	110°
<b>Time on Adjustment</b>	5 Precise Time Settings 1h, 2h, 4h, 6h, 8h
<b>Lux Setting (Lux)</b>	5 to 500
<b>Load</b>	- 10A for Lighting - 2000W Incandescent Lamp - 900VA/100° F Fluorescent Lamp - 1000W AC Halogen Lamp - 1000VA LV Halogen Lamp
<b>Voltage</b>	230V +/- 10% 50/60Hz
<b>Operating Temperature</b>	-25°C to +50°C
<b>Environmental Protection</b>	IP54
<b>Cable</b>	-



### 360° FLUSH MOUNT SENSOR



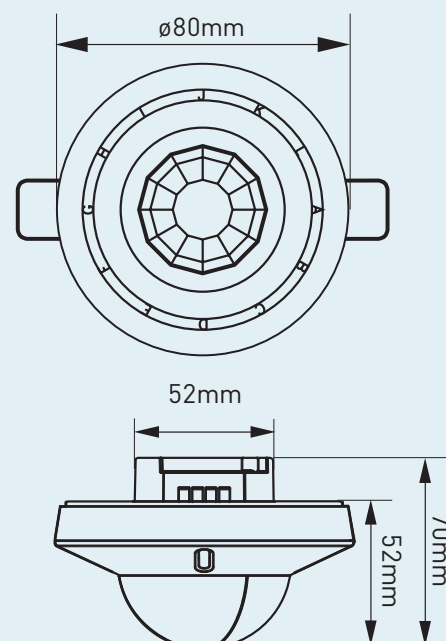
55-465

Description	Colour	Model
Flush Mount Sensor	White	55-465

- Multi-function
  - On/Off
  - Time adjustment
  - Light sensing
- Quad element sensor
- Cutout diameter: 64mm
- ABS construction

#### TECHNICAL DATA

<b>Mounting</b>	Flush
<b>Sensor Adjustment</b>	Adjustable with Lens Shields
<b>Sensor Type</b>	Passive IR
<b>Detection Range</b>	6m Diameter at 2.4m High
<b>Detection Angle</b>	360°
<b>Time on Adjustment</b>	6 sec to 12 mins
<b>Lux Setting (Lux)</b>	5 to 500
<b>Load</b>	- 10A. Max Voltage Free Contact - 20W – 2300W for Incandescent Light - 20W – 1100W for Halogen Light - 20W – 300W for Low Voltage Halogen Light - 20W – 400W for Fluorescent Light
<b>Voltage</b>	240V AC 50Hz
<b>Operating Temperature</b>	-10°C to +45°C
<b>Environmental Protection</b>	IP40
<b>Power Consumption</b>	-



# 360° MINI FLUSH SENSOR



Actual Size



Power Box



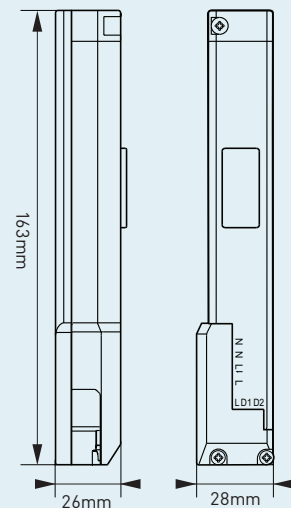
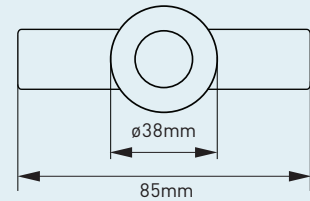
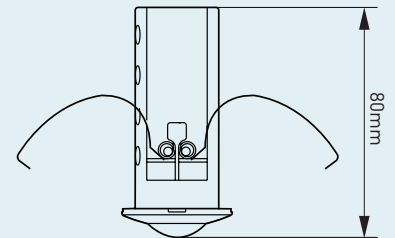
55-451

Description	Colour	Model
Mini Flush Mount Sensor	White	55-451

- Multi-function
  - On/Off
  - Time adjustment
  - Light sensing
- Omni-directional dual element sensor
- Cutout diameter: 33mm
- ABS construction

## TECHNICAL DATA

<b>Mounting</b>	Flush
<b>Sensor Adjustment</b>	Fixed
<b>Sensor Type</b>	Passive IR
<b>Detection Range</b>	5.6m to 11m Diameter at 2.5m High
<b>Detection Angle</b>	360°
<b>Time on Adjustment</b>	1 sec to 15 mins, Precise
<b>Lux Setting (Lux)</b>	0 to 2000
<b>Load</b>	- 2000W max. for Incandescent Light - 1000W max. for Halogen Light - 600VA max. for Low Voltage Halogen Light - 900VA/100° F for Fluorescent Light (CFL & PL Lamps) - 600VA (Max) 400W for Energy Saving CFL Lamp - 500VA/400W Max. for LED Lamp
<b>Voltage</b>	240V AC 50Hz
<b>Operating Temperature</b>	0°C to +45°C
<b>Environmental Protection</b>	IP40
<b>Power Consumption</b>	-



### 360° MINI PRESENCE DETECTOR



Actual Size



55-368



Description	Colour	Model
360° Mini Presence Detector	White	55-368

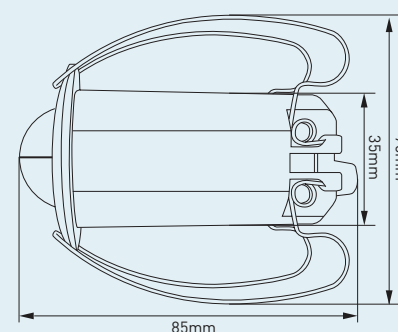
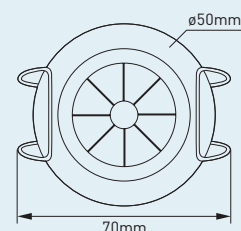
- Multi-function
  - On/Off
  - Time adjustment
  - Light sensing
- Cutout diameter: 38mm
- ABS construction
- Programmed by remote control (55-213 optional accessory)



55-213

#### TECHNICAL DATA

<b>Mounting</b>	Flush
<b>Sensor Adjustment</b>	Adjustable with Lens Shields
<b>Sensor Type</b>	Passive IR
<b>Detection Range</b>	Up to 6m Diameter at 2.5m High
<b>Detection Angle</b>	360°
<b>Time on Adjustment</b>	5 sec to 30 min
<b>Lux Setting (Lux)</b>	5 to 2000
<b>Load</b>	- 2000W max. for Incandescent Light - 1000W max. for Halogen Light - 600VA max. for Low Voltage Halogen Light - 900VA/100° F for Fluorescent Light (CFL & PL Lamps) - 600VA (Max) 400W for Energy Saving CFL Lamp - 500VA/400W Max. for LED Lamp
<b>Operating Temperature</b>	0°C to +45°C
<b>Environmental Protection</b>	IP55
<b>Power Consumption</b>	0.5W



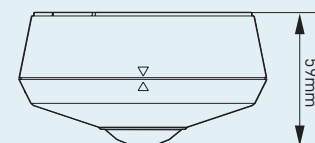
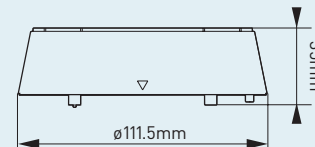
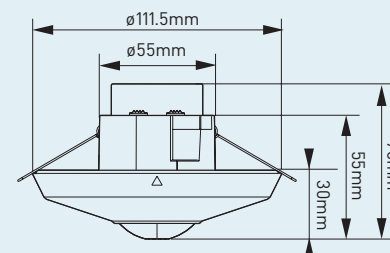
### 360° SURFACE/FLUSH SENSOR



55-461

Description	Colour	Model
Surface/Flush Mount Sensor	White	55-461

- Multi-function
  - On/Off
  - Time adjustment
  - Light sensing
- Built-in walk test function
- Dual element sensor
- Cutout diameter: 57mm
- ABS construction



#### TECHNICAL DATA

<b>Mounting</b>	Surface or Flush
<b>Sensor Adjustment</b>	Adjustable with Lens Shield
<b>Sensor Type</b>	Passive IR
<b>Detection Range</b>	7m Diameter at 2.5m High
<b>Detection Angle</b>	360°
<b>Time on Adjustment</b>	5 sec to 30 mins
<b>Lux Setting (Lux)</b>	0 to 2000
<b>Load</b>	- 2000W max. for Incandescent Light - 1000W max. for Halogen Light - 1000VA max. for Low Voltage Halogen Light - 900VA/100µ F for Fluorescent Light - 600VA (400W) Max. for Energy Saving Lamp (CFL PL Lamps)
<b>Voltage</b>	Indoor: 0°C to 45°C Outdoor: -20°C to 45°C
<b>Operating Temperature</b>	0°C to +45°C
<b>Environment Protection</b>	IP44
<b>Power Consumption</b>	-

# 360° DUAL RELAY PRESENCE DETECTOR



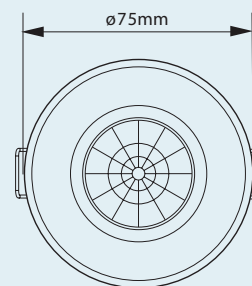
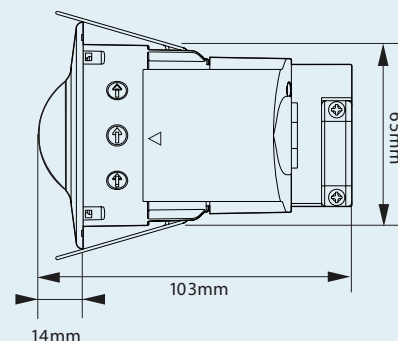
55-408

Description	Colour	Model
Dual Relay, Flush Mount Detector	White	55-408

- Multi-function
  - On/Off
  - Time adjustment
  - Light sensing
- Two relays to control lighting & HVAC devices
- Cutout diameter: 68mm
- ABS construction

## TECHNICAL DATA

<b>Mounting</b>	Flush
<b>Sensor Adjustment</b>	Adjustable with Lens Shield
<b>Sensor Type</b>	Passive IR
<b>Detection Range</b>	8m Diameter at 2.5m High
<b>Detection Angle</b>	360°
<b>Time on Adjustment</b>	5 sec to 30 mins – Timer 1 for Lighting 10 sec to 60 mins – Timer 2 for HVAC
<b>Lux Setting (Lux)</b>	0 to 2000
<b>Load</b>	- 2000W max. for Incandescent Light - 1000W max. for AC Halogen Light - 1000VA/600W max. for Low Voltage Halogen Light - 900VA/100° F for Fluorescent Light - 600VA (400W) Max. for Energy Saving Lamp (CFL & PL Lamps)
<b>Voltage</b>	240V AC 50Hz
<b>Operating Temperature</b>	0°C to to +45°C
<b>Environmental Protection</b>	IP44
<b>Cable</b>	-



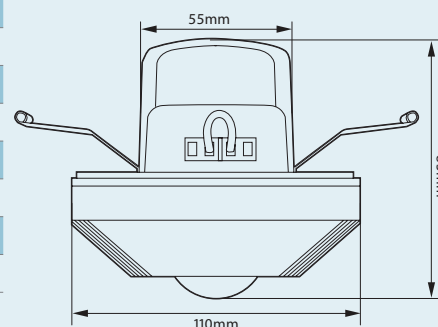
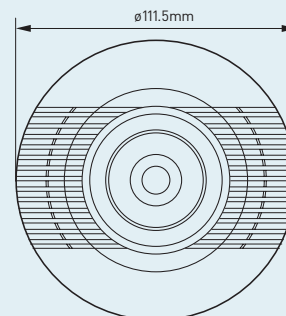
### 360° DUAL TECHNOLOGY FLUSH MOUNT PRESENCE DETECTOR



55-454

Description	Colour	Model
Ultrasonic Flush Mount Detector	White	55-454

- Multi-function
  - On/Off
  - Time adjustment
  - Light sensing
- Dual technology sensor
- Cutout diameter: 56mm
- ABS construction



#### TECHNICAL DATA

<b>Mounting</b>	Flush Mount
<b>Sensor Adjustment</b>	Adjustable with Lens Shield
<b>Sensor Type</b>	Passive IR/Ultrasonic
<b>Detection Range</b>	PIR 8m Diameter, Ultrasonic 10m x 16m (Oval Shape)
<b>Detection Angle</b>	360°
<b>Time on Adjustment</b>	5 sec to 30 mins, Test & 1s
<b>Lux Setting (Lux)</b>	10 to 1000
<b>Load</b>	- 2000W max. for Incandescent Light - 1000W max. for AC Halogen Light - 1000VA/600W max. for Low Voltage Halogen Light (traditional) - 1000VA/900W max. for Low Voltage Halogen Light (electronic) - 900VA/100° F for Fluorescent Light (uncompensated)
<b>Voltage</b>	230V +/- 10% AC 50/60 Hz
<b>Operating Temperature</b>	0°C to to +45°C
<b>Environmental Protection</b>	IP20
<b>Power Consumption</b>	-



## 360° DUAL TECHNOLOGY SURFACE MOUNT PRESENCE DETECTOR



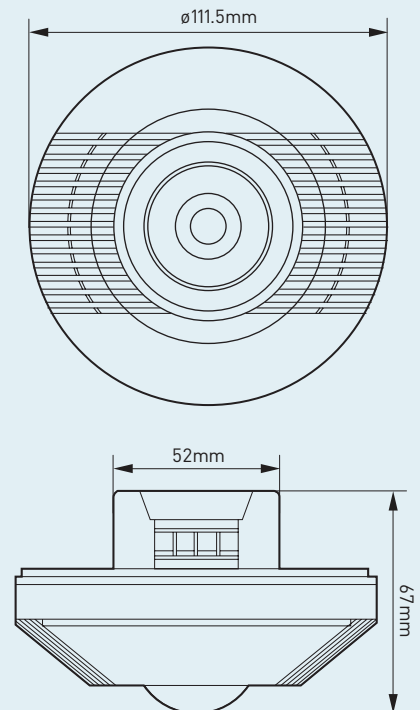
55-456

Description	Colour	Model
Ultrasonic Surface Mount Detector	White	55-456

- Multi-function
  - On/Off
  - Time adjustment
  - Light sensing
- Dual technology sensor
- Cutout diameter: 56mm
- ABS construction

### TECHNICAL DATA

<b>Mounting</b>	Surface Mount
<b>Sensor Adjustment</b>	Adjustable with Lens Shield
<b>Sensor Type</b>	Passive IR/Ultrasonic
<b>Detection Range</b>	PIR 8m Diameter, Ultrasonic 10m x 16m (Oval Shape)
<b>Detection Angle</b>	360°
<b>Time on Adjustment</b>	5 sec to 30 mins, Test & 1s
<b>Lux Setting (Lux)</b>	10 to 1000
<b>Load</b>	<ul style="list-style-type: none"> <li>- 2000W max. for Incandescent Light</li> <li>- 1000W max. for AC Halogen Light</li> <li>- 1000VA/600W max. for Low Voltage Halogen Light (traditional)</li> <li>- 1000VA/900W max. for Low Voltage Halogen Light (electronic)</li> <li>- 900VA/100° F for Fluorescent Light (uncompensated)</li> </ul>
<b>Voltage</b>	230V +/- 10% AC 50/60 Hz
<b>Operating Temperature</b>	0°C to to +45°C
<b>Environmental Protection</b>	IP20
<b>Power Consumption</b>	-



# 02

NEW PRODUCTS  
IN THIS SECTION

## 8 Zone Alarm Kit with Dialler (Apartment Kit)



Page 63

## 8 Zone Alarm Kit with Dialler (House Kit)



Page 64



# 02

## ALARM SYSTEMS

Keypad with Proximity Reader.....	52
Keypad Outdoor Weatherproof .....	53
Door Beam.....	54-55
Door Beam Outdoor .....	56
4 Channel RF Transmitter & Receiver .....	57
One Channel RF Transmitter Battery.....	58
One Channel RF Transmitter with Relay ....	59
240V Transmitter & Receiver .....	60
8 Zone Standard Alarm Kit.....	61
8 Zone Deluxe Alarm Kit .....	62
8 Zone Apartment Alarm Kit .....	63
8 Zone House Alarm Kit .....	64
Dummy Alarm Kit .....	65
Alarm Kit Accessories .....	66-67
Voice Dialler.....	68
Passive Infrared Detectors .....	69-72
Smoke Detector .....	73

# KEYPAD WITH PROXIMITY READER



20-PCRH



Description	Colour	Model
Proximity Type Reader, Weatherproof	White	20-PCRH

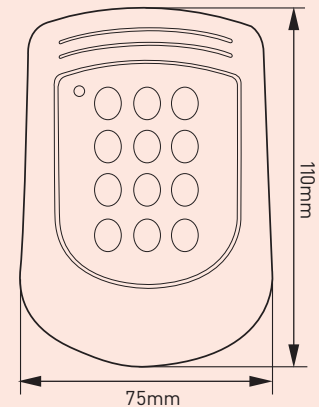
- Read range up to 10cm
- Memory capacity – stores up to 1000 card holders
- User card can be registered/deleted in single or batch mode
- Three types of access – card only, card + personal password, card or password
- Drive time of electric lock programmable, 1 – 99 seconds

## TECHNICAL DATA

Reader Type	Proximity
Keypad	12 Key (0-9,*,#)
User Codes	One
Voltage	10 to 15V DC
Power Consumption	200mA 12V DC
Case Material	ABS
Operating Temperature	0° C to + 50° C
Dimensions	75 (w) x 112 (h) x 23 (d) mm

## ACCESSORIES

Description	Model
12V DC Power Supply for 20-PCRH and 10-110	01-121
Solenoid Gate Release	10-110
Proximity Card (Credit Card Style)	20-PCT
Proximity Tag with Key Chain	20-PTAG



20-PCT



20-PTAG

## KEYPAD OUTDOOR WEATHERPROOF



20-962

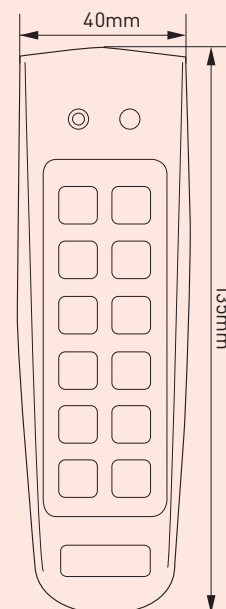


Description	Colour	Model
Standalone Keypad, 500 users, Backlit, Weatherproof	Charcoal	20-962

- IP65 and UV resistant
- Up to 500 users can be coded using smart enroll and delete technology
- Three user levels: Normal (single pin), Secure (dual pin) and Master
- Pin code length: 4 to 8 digits
- Ten auxiliary modes including door ajar, forced door and door monitor

## TECHNICAL DATA

<b>Operating Voltage Range</b>	12 to 24V DC (From a Regulated Power Supply) 16 to 24V AC (From a Transformer)
<b>Relay Outputs</b>	Lock Strike: Form C, 5 Amp Auxiliary: Form C, 5 Amp
<b>Inputs</b>	N.O., Dry Contact Auxiliary (In/Monitor) N.O., Dry Contact
<b>LEDs</b>	Two Tri-Coloured LEDs with Additional LED Control Feature
<b>Tamper Output</b>	Open Collector, Active Low 32mA Max Sink Current
<b>PIN Codes</b>	8 Formats Supported; From Single Key Up to 8 Digit PIN Codes
<b>LED Control Input</b>	Dry Contact, Normally Open
<b>Reader Inputs</b>	Supports 2 Standard Wiegand 26 Bit Readers/Pin Keypads
<b>3 Security Modes</b>	Three Modes Of Operation; Normal/Bypass/Secure
<b>Audio/Visual</b>	Built in Sounder (Bell, Chime, Siren)
<b>Dimensions</b>	44 (w) x 135 (h) x 28 (d) mm



01-121

## ACCESSORIES

Description	Model
12V DC Power Supply	01-121
Solenoid Gate Release	10-110

DOOR BEAM



45-100

Description	Colour	Model
Entry Warning System includes Beam Sensor/Reflector, 9V DC Adaptor, Alarm Speaker, 10m Cable, NIR100SA	Black	45-100

- Suitable for shops, reception areas, medical and dental surgeries
- Modulated beam of infrared light across a doorway onto a retro-reflector mounted opposite
- Alarm will trigger and give an audible warning when people walk through the beam

TECHNICAL DATA

Power Supply	9V DC
Total Current Consumption	Maximum $\leq$ 100mA
Standby Current	25mA
Detection Range	0.5 to 6m
Light Source	9V DC
Speaker Output	Chime/Off/Alarm (Select by Switch)
Speaker Time	1 Second for Chime, 30 Seconds for Alarm (Adjustable 3 – 30)
Volume	85db +/- 10%
Volume Adjustable	Yes

ACCESSORIES

Description	Model
10m Extension Cable	45-101
20m Extension Cable	45-102
Additional Speaker for Expanding (Requires Extension Cable)	45-103
Counter (Requires Extension Cable)	45-104
Hood for Reflector	45-106
Replacement Power Supply	01-123



45-104



45-103

## DOOR BEAM PARADOOR



45-250



45-300

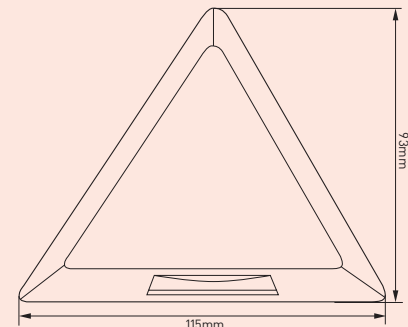


Description	Colour	Model
Paradoor Detector, Curtain Beam, Timer	White	45-250
Paradoor Detector Kit with 12V DC Power Supply, Buzzer	White	45-300

- Unique dual element rectangular sensor
- Narrow full curtain beam
- Can detect movements caused by a hand sized object up to 2.1m and movements of a human body up to 6.6m

## TECHNICAL DATA

<b>Sensor</b>	Dual Element, Low Noise, High Response
<b>Processing</b>	Threshold, APSO, Automatic Temperature Compensation (Metal Shielding)
<b>Detection Speed</b>	25mA
<b>Power Input</b>	9 to 16V DC or 20-27V DC, 18mA Maximum
<b>Lens</b>	Lodiff Segment Real Full Curtain Fresnel Lens
<b>Coverage</b>	Front View – 40°, 1.5m at 5ft, 4.5m at 15ft Side View 2.1m for Card Access, 6.6m for Security
<b>Zones</b>	1 (Full Curtain), 2 Positions
<b>Alarm/Signal</b>	Green LED – 0.5 sec to 25 sec adjustable
<b>Alarm Signal Output</b>	0.15/28V, 2A/28VDC Transistor Open Collector, Selectable to N.C. or N.O. Operation
<b>Anti Tamper Switch</b>	0.15A, 28V DC, Opens When Cover Removed
<b>Operating Temp</b>	-10°C to +50°C
<b>Humidity</b>	95% Maximum



DOOR BEAM OUTDOOR



45-150



45-200



Description	Colour	Model
Photoelectric Beam & Reflector, IP66, 12m, IR1200L	Black	45-150
Photoelectric Beam Sensor, IP66, 30m, IR3000L	Black	45-200

- Universal AC/DC input voltage
- Suitable for warehouse, drive through bottle shop, industrial automation, entry passing detection, gate or garage door

TECHNICAL DATA

<b>Detection Type</b>	Retro Reflection (45-150) or Through Beam (45-200)
<b>Sensing Range</b>	12m (45-150) or 30m (45-200)
<b>Output Method</b>	Normally Closed Relay
<b>Input Voltage</b>	45-150 Both AC/DC 12-240V Free Power 45-200 DC 12-240V +/- 10% or AC 24-240V +/- 10%
<b>Response Time</b>	15Ms
<b>Emitting Element</b>	IR LED
<b>Power LED Indicator Green</b>	When Powered; LED Turn On When Power Off; LED Turn Off
<b>Current Consumption</b>	Beam Aligned: 52mA, Broken 32mA
<b>Environmental Protection</b>	IP66
<b>Operating Temperature</b>	-20°C to -55°C

ACCESSORIES

Description	Model
12V DC 1000mA Power Supply for 45-150 and 45-200	01-121
12V DC Buzzer with Cable, 90dB, 12VDC, 22mm Diameter, 12mm High	70-415
Universal Timer Board (For Setting Amount of Time Buzzer Sounds)	26-001
Hood for 45-150 Reflector	45-106



01-121



70-415



26-001



## FOUR CHANNEL RF TRANSMITTER &amp; RECEIVER



75-063



75-064

Description	Colour	Model
Four Channel RF Transmitter with Key Chain, 12V DC	Black	75-063
Four Channel Receiver, 433.92MHz	Black	75-064

**75-063 Features**

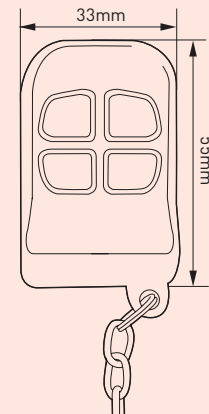
- Operates up to 150 metres
- Over 68 billion possible codes
- Includes 12V DC alkaline battery
- Dimensions: 60mm x 35mm x 15mm

**75-064 Features**

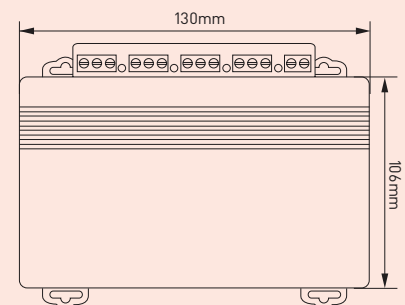
- One Channel. 433.92MHz
- Small size (80 x 65 x 19mm)
- Control garage doors, etc.
- LED shows RF reception program status
- Mode switches for easy transmitter learning

**TECHNICAL DATA**

<b>Operating Distance</b>	150m
<b>Operating Voltage</b>	11 to 24V AC/DC
<b>Current Draw</b>	8mA at 12V DC Standby, 45mA at 12V DC LED Flashing
<b>Memory Capacity</b>	15 Transmitter Button Codes per Channel
<b>Receiver Output Modes</b>	Timed Momentary (1, 2, 3, 4, 5, 10, 30, 60 sec) Toggle (ON/OFF), Latched, Continuous
<b>Receiver Outputs</b>	Form C Dry Relay Contact (N.O/N.C/Com); max 10 Amp and 24VDC
<b>Operating Frequency</b>	433.92MHz
<b>RF Codes</b>	18 Quintillion Code bump
<b>Dimensions</b>	135 x 111 x 28mm
<b>Operating Temperature</b>	20° to 72°C

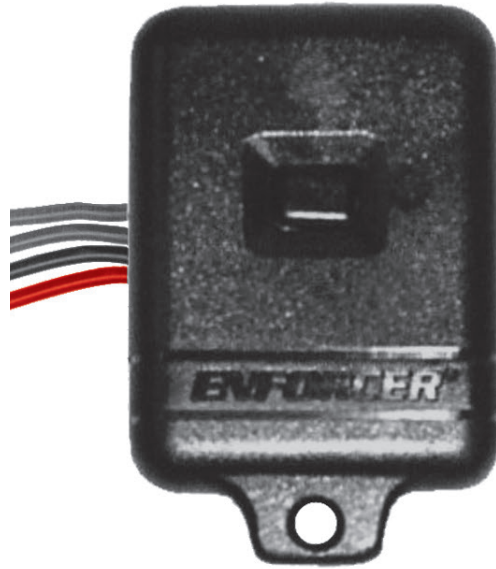


75-063



75-064

# ONE CHANNEL RF TRANSMITTER BATTERY



75-068

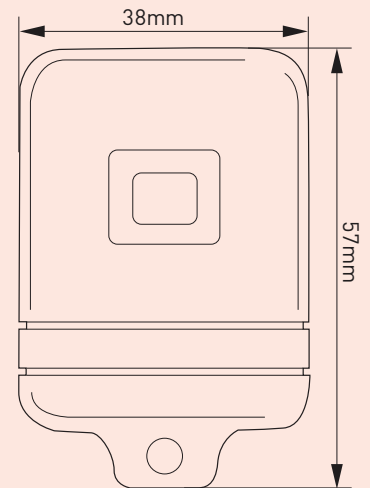


Description	Colour	Model
Single Channel Wired RF Transmitter, 12V DC Battery	Black	75-068

- One Channel. 433.92MHz
- Control garage doors, etc.
- LED shows RF reception program status
- LED transmission indicator
- Includes 12V DC alkaline battery

## TECHNICAL DATA

<b>Operating Distance</b>	154 Metres
<b>Operating Frequency</b>	One Channel 433.92MHz
<b>Wiring</b>	2 wires (6") for N.O. switch input 2 wires (6") for 12V DC power input
<b>Dimensions</b>	57 x 38 x 16mm



## ONE CHANNEL RF TRANSMITTER WITH RELAY



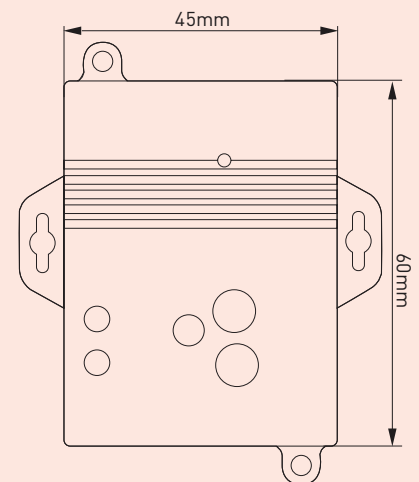
75-067

Description	Colour	Model
Single Channel Receiver, Relay Output, 433.92MHz	Black	75-067

- One Channel. 433.92MHz
- Control garage doors, etc.
- LED shows RF reception program status
- Mode switches for easy transmitter learning

### TECHNICAL DATA

<b>Operating Distance</b>	150m
<b>Operating Voltage</b>	11 to 24V AC/DC
<b>Current Draw</b>	5mA at 12V DC Standby, 50mA LED Flashing
<b>Memory Capacity</b>	15 Transmitter Button Codes per Channel
<b>Receiver Output Modes</b>	- Timed Momentary (1, 2, 3, 4, 5, 10, 30, 60 sec) - Toggle (ON/OFF) - Latched - Continuous
<b>Receiver Outputs</b>	- 3A Form C Relay (NO/NC/C)
<b>Operating Frequency</b>	433.92MHz
<b>RF Codes</b>	18 Quintillion Code bump
<b>Dimensions</b>	65 x 80 x 19mm
<b>Operating Temperature</b>	20° to 72°C



# TRANSMITTER & RECEIVER



55-069



55-070



Description	Colour	Model
Mini Handheld Transmitter, 12V DC, IP40, TF-69	Dark Grey	55-069
Receiver, Down Light Style, 6A, IP20, RF-150D	White	55-070

- Suitable for outdoor or indoor lighting, tennis courts, sheds, garden lighting, pool lights, pool pumps, venetian blind, ventilator
- Wireless home automation
- Able to control 64 different lighting applications

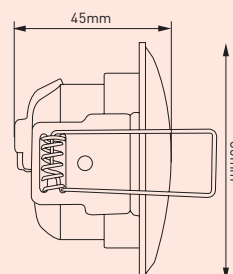
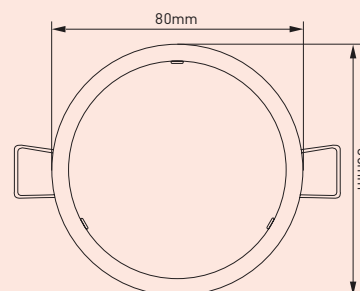
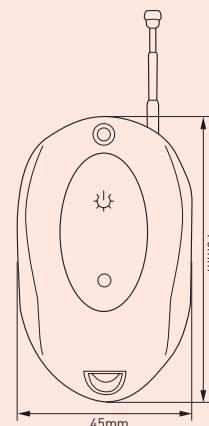
## TECHNICAL DATA

### TRANSMITTER

Transmission Range	50m in Open Air
IP Rating	IP40
Rated Voltage	12V DC (A23 Battery)
Transmission Frequency	433.92MH
Channel	Four to 64 Combinations
Operation Temperature	0°C to +45°C

### RECEIVER

Transmission Range	50m in Open Air
IP Rating	IP20
Rated Voltage	240V 50Hz
Switching Load	- 6A (Max) Voltage Free Contact - Energy Saving Lamp (CFL): 250VA (150W) Max - (Includes CFL & PL Lamp), LED Lamp: Max: 250VA/200W
Transmission Frequency	433.92MHz
Modulation	ASK (Amplitude Shifting Keyring)
Cut Out	63mm



## 8 ZONE ALARM KIT WITH LED KEYPAD & DIALLER (STANDARD KIT)



20-122



### Description

8 Zone Standard Alarm Kit with Dialler

### Model

20-122

- 8 hard wired zones
- 4 programmable phone numbers
- Dialler communicates with central station, pager and mobile phone
- 127 number of events recorded in memory
- 2 separately armable areas and 2 part night modes
- Chime mode to alert you of movement on the premises
- Simple one touch keypad keys
- Built in real time clock



20-122

### KIT INCLUDES

Description	Model
1 x 8 Zone Control Panel, dialler & LED keypad	20-120
2 x 12V DC PIR detectors	50-040
1 x Combined siren/strobe	70-511
1 x Internal siren	70-316
1 x 12V DC 7Ah battery	01-060
1 x 100m 4 core cable	80-015
1 x Reed switch	25-015
1 x 16V Plug pack	05-127
2 x Alarm stickers	85-208



50-040



70-511



70-316

# 8 ZONE ALARM KIT WITH LED KEYPAD & DIALLER (DELUXE KIT)



20-124



Description	Model
8 Zone Deluxe Alarm Kit with Dialler	20-124

- 8 hard wired zones
- 4 programmable phone numbers
- Dialler communicates with central station, pager and mobile phone
- 127 number of events recorded in memory
- 2 separately armable areas and 2 part night modes
- Chime mode to alert you of movement on the premises
- Simple one touch keypad keys
- Built in real time clock

## KIT INCLUDES

Description	Model
1 x 8 Zone control panel, dialler & LED keypad	20-120
3 x 12V DC PIR detectors	50-040
1 x Combined siren/strobe	70-511
1 x Internal siren	70-316
1 x 12V DC 7Ah battery	01-060
2 x 4 Channel Transmitter (Key fob Style)	75-063
1 x Single Channel Receiver	75-067
2 x Alarm Stickers	85-208
1 x 16V Plug Pack	05-127



20-122



50-040



70-511



01-060

## 8 ZONE ALARM KIT WITH LED KEYPAD & DIALLER (APARTMENT KIT)



20-830



### Description

8 Zone Deluxe Alarm Kit with Dialler

### Model

20-830

- 8 hard wired zones
- 4 programmable phone numbers
- Dialler communicates with central station, pager and mobile phone
- 127 number of events recorded in memory
- 2 separately arm able areas and 2 part night modes
- Chime mode to alert you of movement on the premises
- Simple one touch keypad keys
- Built in real time clock

### KIT INCLUDES

Description	Model
1 x 8 Zone Control Panel, dialler & LED keypad	20-120
3 x 12V DC PIR detectors	50-040
1 x Combined siren/strobe	70-511
1 x Internal siren	70-316
1 x 12V DC 7Ah battery	01-060
1 x 100m 4 core cable	80-015
2 x Alarm Stickers	85-208
1 x 16V Plug pack	05-127
1 x Totesmall packaging container	



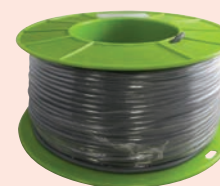
20-122



50-040



70-511



80-015

# 8 ZONE ALARM KIT WITH LED KEYPAD & DIALLER (HOUSE KIT)



20-840



Description	Model
8 Zone Deluxe Alarm Kit with Dialler	20-840

- 8 hard wired zones
- 4 programmable phone numbers
- Dialler communicates with central station, pager and mobile phone
- 127 number of events recorded in memory
- 2 separately armable areas and 2 part night modes
- Chime mode to alert you of movement on the premises
- Simple one touch keypad keys
- Built in real time clock

### KIT INCLUDES

Description	Model
1 x 8 Zone Control Panel, dialler & LED keypad	20-120
4 x 12V DC PIR detectors	50-040
1 x Outdoor siren	70-318
1 x Blue strobe	70-512
1 x PVC siren cover	70-600
1 x Tamper switch	65-030
1 x Internal siren	70-316
1 x 12V DC 7Ah battery	01-060
1 x 4 Channel transmitter (key fob style)	75-063
1 x Single channel receiver	75-067
1 x 100m 4 core cable	80-015
2 x Alarm stickers	85-208
1 x 16V Plug pack	05-127



20-122



50-040



70-318



70-316



## DUMMY ALARM KIT



70-700



Description	Model
Dummy Alarm Kit	70-700

## Kit Includes

- 1 x 70-600 PVC outdoor siren cover
- 1 x 70-512 blue strobe
- 2 x 85-208 alarm stickers

## ACCESSORIES

Description	Model
PVC Outdoor Siren Cover	70-600
Blue Strobe, 12V DC, 180mA, 75 x 45 (h)mm	70-512
Alarm Stickers	85-208



70-600



70-512



85-208

### ALARM KIT ACCESSORIES



**20-120**



**20-125**



**01-060**



**70-316**



**80-015**

Description	Model
8 Zone Panel with LED Keypad	20-120
8 Zone Panel with LCD Keypad	20-123
16 Zone Panel with LED Keypad	20-144
16 Zone Panel with LCD Keypad	20-141
LED Keypad Only 8/16 Zone	20-143
LCD Keypad Only 8/16 Zone	20-125
12V DC 7AH Battery	01-060
16V AC 1.5 Amp Plug Pack with Earth Lead	05-127
4 Core 7/020 100m Roll Cable	80-015
6 Core 7/020 100m Roll Cable	80-030
Indoor Siren, 12V DC, 110 db, 150 – 200mA, Ivory, 55 x 40 (h)mm	70-316

## ALARM KIT ACCESSORIES



70-318



25-005



70-511



70-512



25-015



85-208

Description	Model
Outdoor Siren, 12V DC, 110 db, 10/15W, White, 88 x 105 (h)mm	70-318
Combined Siren & Strobe, 12V DC, 130mA, 110 +/- 3db, Piezo, Wall Mt, IP60, 73 x 122, 43mm	70-511
Blue Strobe, 12V DC, 180mA, 75 x 45 (h)mm	70-512
Surface Mount Reed Switch, Changeover N.O and N.C	25-015
End on Reed Switch 9mm	25-005
Roller Door Reed Large	25-002
Alarm Sticker	85-208
Emergency Button	65-026
Tamper Switch	65-030
Four Channel RF Transmitter with Key Chain, 12V DC	75-063
Single Channel Receiver, Relay Output, 433.92MHz, SK-910RA-4	75-064

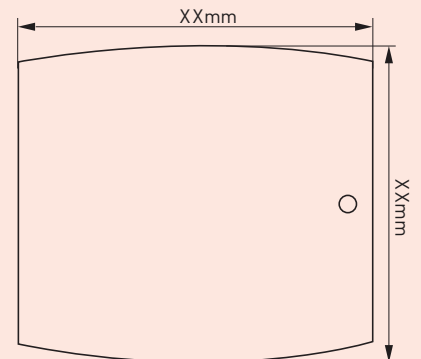
VOICE DIALLER



45-275

Description	Colour	Model
Paravox Voice Dialler	White	45-275

- Verbally report system status by phone – detection of burglary, fire, flood
- Fully programmable over the telephone
- 4 zone inputs that can be linked to 4 different 32 digit telephone numbers
- Message length programmed at 2 x 20 seconds or 4 x 10 seconds



TECHNICAL DATA

<b>Input Voltage</b>	10V DC to 14V DC (12.5V DC Typical)
<b>Current Consumption</b>	100mA Typical, 200mA Max.
<b>Zone Inputs</b>	4 Programmable: N.C/N.O., EOL (1K/2K) or 12VDC Input
<b>PGZM Outputs</b>	2
<b>PGM Output Current</b>	30mA Max.
<b>Dialling Modes</b>	Pulse, DTMF
<b>LED Indicator</b>	3 LEDs – Green OK, Yellow Busy, Red Pulse
<b>Voice Quality</b>	5.3KHz Sample Rate with AGC
<b>Operating Temperature</b>	0° to 50° C

## 12V DC PASSIVE INFRARED DETECTOR



50-040

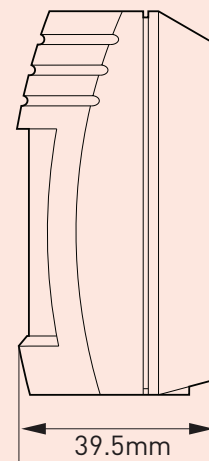
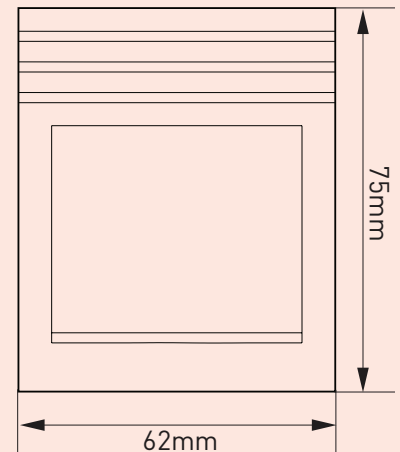


Description	Colour	Model
12V PIR Detector, 12m, 104°, Normally Closed, CQ86	White	50-040

- Suitable for alarm control panels
- Temperature compensation
- Selectable pulse count
- Superior RF immunity
- Walk test LED
- Tamper protection
- Wall or ceiling mount

## TECHNICAL DATA

<b>Voltage Range</b>	9-16V AC
<b>Volumetric</b>	12m Range, 24 Facets, 104° Coverage Angle
<b>Detection Method</b>	Passive IR
<b>Detector Type</b>	Dual Element, Low Noise Pyro – Electric Sensor
<b>Quiescent Current</b>	17mA and 12V (Typical)
<b>Alarm Output</b>	Normally Closed Pair with 18 Ω Series Resistor Rated at 24V DC 50mA
<b>Tamper Output</b>	Normally Closed Pair, Rated at 24VDC 50mA
<b>Maximum Ripple</b>	2V pp and 12V DC
<b>Walk Test LED</b>	Link Selectable
<b>Alarm Period</b>	2 to 3 Seconds (Typical)
<b>Maximum Humidity</b>	95% Non Condensing
<b>Operating Temperature</b>	-10°C to 55°C



**PASSIVE INFRARED DETECTOR**



50-360

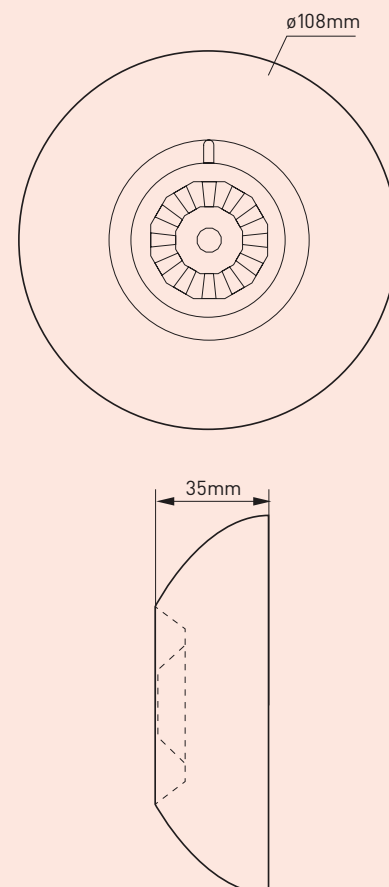


Description	Colour	Model
360° Ceiling Mount PIR Detector	White	50-360

- Two operational modes (addressable for the Digiplex and Digiplex EVO series or conventional relay operation)
- Dual opposed element sensor
- Digital detection

**TECHNICAL DATA**

Rated Voltage	12V DC
Viewing Angle	360°
Range	7m x 6m at 2.4m 11m x 6m at 3.7m



## PASSIVE INFRARED DETECTOR



50-042

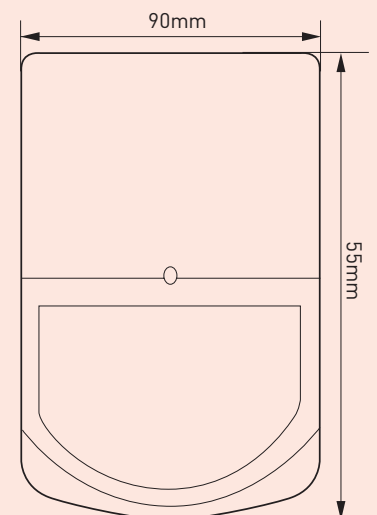


Description	Colour	Model
Pet Immune Detector up to 25kg, 18m	White	50-042

- Temperature compensation
- Variable pulse width adjustment
- Sensitivity adjustment
- Immunity to animals up to 25kg

## TECHNICAL DATA

<b>Power Input</b>	8.2 to 16V DC
<b>Current Draw</b>	Standby: 8mA ( $\pm 5\%$ ) Active: 10mA ( $\pm 5\%$ )
<b>Detection Method</b>	Quad (Four Element) PIR
<b>Range</b>	18m with Wide Angle Lens
<b>Alarm Output</b>	N.C 28V DC 0.1A with 27 Ohm Series Protection Resistor
<b>Tamper Switch</b>	N.C 28V DC 0.1A with 10 Ohm Series Protection Resistor
<b>Dimensions</b>	92 x 59 x 37mm



## PASSIVE INFRARED/MICROWAVE DETECTOR



50-044

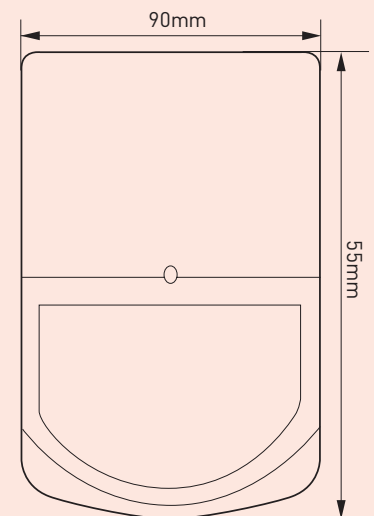


Description	Colour	Model
Microwave Dual Quad Technology, 15m, 12V DC	White	50-044

- Combination of PIR and Microwave
- Quad (four element) pyro sensor and hard lens for outstanding detection performance and elimination of false alarms
- 2 way Microwave and PIR sensitivity adjustment
- Bi directional temperature compensation
- Environmental immunity

## TECHNICAL DATA

<b>Detection Method</b>	Quad Element PIR & Microwave Pulse Doppler
<b>Power Input</b>	8.2 to 16 V DC
<b>Current Draw</b>	Active – 25.5mA Standby – 16.5mA
<b>Temperature Compensation</b>	Yes
<b>Alarm Output</b>	N.C 28V DC 0.1A with 10 Ohm Series Protection Resistors
<b>Tamper Switch</b>	N.C 28V DC 0.1A with 10 Ohm Series Protection Resistor
<b>Dimensions</b>	123 x 62 x 38mm





## SMOKE DETECTOR



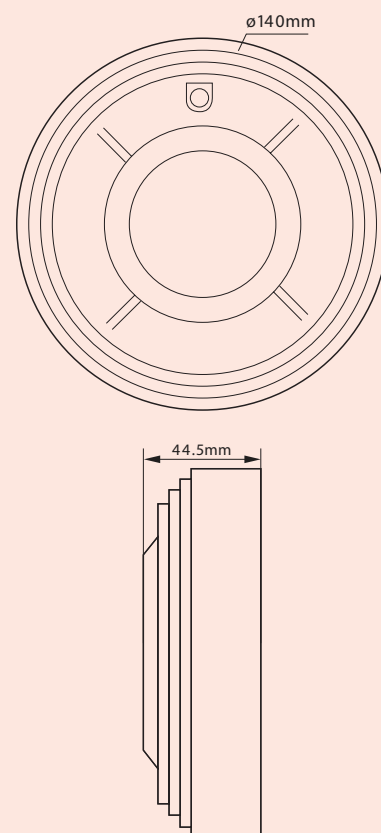
71-132

Description	Colour	Model
Smoke Detector, Photoelectric, 12V DC, 85dB, 4 Wire	White	71-132

- Non-latching
- 85Db alarm horn
- External push button provides a test of the detector's alarm function
- A normally open auxiliary alarm relay with an 8 second delay
- Visible LED indicator flashes once every 30 seconds in standby and rapidly (every 0.5 seconds) in alarm when detecting smoke

## TECHNICAL DATA

<b>Operating Voltage</b>	12V DC (nominal)
<b>Standby Current</b>	60 $\mu$ Maximum Average
<b>Alarm Current</b>	20mA Maximum Average and 12V DC
<b>Relay Current Rating</b>	1 Form A, .5A and 30V DC
<b>Humidity Range</b>	10% to 93% RH, Non condensing
<b>Temperature Range</b>	32° to 120°F (0° to 50°C)
<b>Dimensions</b>	44.5 (h) x 140mm dia



# 03

NEW PRODUCTS  
IN THIS SECTION

## CCTV MONITORS



Pages 76-77

## BULLET CAMERAS



Page 79

## VIDEO RECORDERS



Page 78

## DOME CAMERAS



Page 80

# 03

## CLOSED CIRCUIT TV

17" Colour CCTV Monitor .....	76
19" Colour CCTV Monitor .....	77
Digital Video Recorder .....	78
CCTV Bullet Camera.....	79
CCTV Dome Camera .....	80
Video Balun.....	81



## 17" COLOUR CCTV MONITOR



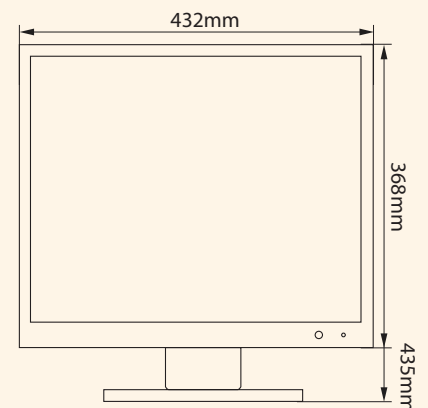
96-105

Description	Colour	Model
17 inch Colour CCTV Monitor	Black	96-105

- 1280 x 1024 resolution
- Wide viewing angle
- 3.7ms response time
- VGA/HDMI/BNC input
- H.264 main profile video compression format
- Dual encoding streams
- Web and mobile phone monitoring support
- HDVGA and BNC simultaneous output

### TECHNICAL DATA

Active Display Area	338(w) x 270mm(h)
Display Mode	4:3
LCD Type	TFT-LCD
Resolution	1280 x 1024
Display Colour	16.7m
Pixel Pitch (mm)	0.264 (horizontal) x 0.264 (vertical)
Brightness (nits)	300 cd/m <sup>2</sup>
Contrast Ratio	1000:1
Viewing Angle	160 (horizontal)/160 (vertical)
V-Frequency	60 Hz
Operating Temperature	-20°C to 70°C
Inputs	VGA (1), HDMI (1), Composite (BNC x1)
System	PAL/NTSC/SECAM
3D Comb Filter	Yes
Video Comb Filter	Yes
Power Input	DC 12V/4A
Maximum in Operation	≤ 35W (Max)



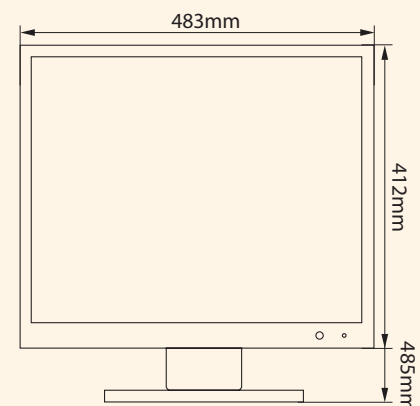
**19" COLOUR CCTV MONITOR****96-110**

Description	Colour	Model
19 inch Colour CCTV Monitor	Black	96-110

- 1280 x 1024 resolution
- Wide viewing angle
- 3.7ms response time
- VGA/HDMI/BNC input
- H.264 main profile video compression format
- Dual encoding streams
- Web and mobile phone monitoring support
- HDVGA and BNC simultaneous output

**TECHNICAL DATA**

<b>Active Display Area</b>	376(w) x 301mm(h)
<b>Display Mode</b>	4:3
<b>LCD Type</b>	TFT-LCD
<b>Resolution</b>	1280 x 1024
<b>Display Colour</b>	16.7m
<b>Pixel Pitch (mm)</b>	0.294 (horizontal) x 0.294 (vertical)
<b>Brightness (nits)</b>	250 cd/m <sup>2</sup>
<b>Contrast Ratio</b>	1000:1
<b>Viewing Angle</b>	170 (horizontal)/160 (vertical)
<b>V-Frequency</b>	60 Hz
<b>Operating Temperature</b>	-20 °C to 70 °C
<b>Inputs</b>	VGA (1), HDMI (1), Composite (BNC x1)
<b>System</b>	PAL/NTSC/SECAM
<b>3D Comb Filter</b>	Yes
<b>Video Comb Filter</b>	Yes
<b>Power Input</b>	DC 12V/4A
<b>Maximum in Operation</b>	≤ 35W (Max)



# DIGITAL VIDEO RECORDER



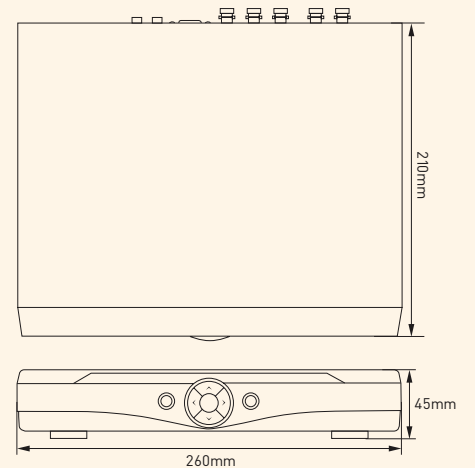
96-435

Description	Colour	Model
8 Channel Digital Video Recorder	Black	96-435

- H.264 main profile video compression format
- Dual encoding streams and combination of coding techniques support
- Web and mobile phone monitoring support by remote monitoring
- HDVGA and BNC simultaneous output
- Multi-language and multi-system support
- Does not include HDD

## TECHNICAL DATA

<b>Resolution</b>	8 Channel Real Time 960H
<b>Playback</b>	2 x 960H/4 x D1
<b>Audio In/Out</b>	1/1
<b>Alarm In/Out</b>	No
<b>3D Mobile</b>	Yes
<b>HDMI</b>	1080
<b>Screenshot</b>	Yes
<b>3G Cloud</b>	Yes

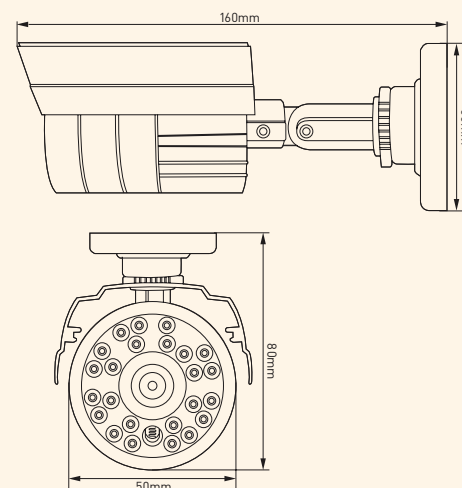


## CCTV BULLET CAMERA



96-180

Description	Colour	Model
Bullet Camera 800TVL	White	96-180
<ul style="list-style-type: none"> <li>Analog</li> <li>IR fixed lens bullet camera</li> <li>PAL/NTSC</li> <li>High resolution 1/3 CCD</li> </ul>	<ul style="list-style-type: none"> <li>800TVL to 1200TVL optional</li> <li>IR distance: 20m</li> <li>Weatherproof</li> </ul>	



## TECHNICAL DATA

Pick Up Element	Sony 1/4" CCD
Effective Picture	NTSC: 986 x 492, PAL: 976 x 582
Horizontal Resolution	800 TV Lines
SN Ratio	More than 48dB
Clock Frequency (MHz)	NTSC: 36, PAL: 38
Scanning System	2-1 Interface
Minimum Illumination	0.01 Lux
Synchronous System	Internal, Negative Sync
Auto Electric Shutter	NTSC: 1/60s to 1/1,00,000s PAL: 1/50s to 1/100,000s
Video Output	1Vpp, 750
Voltage	12V DC (+/- 10%) 120-800mA
Lens	3.8mm
Operating Temperature	-20°C to +50°C

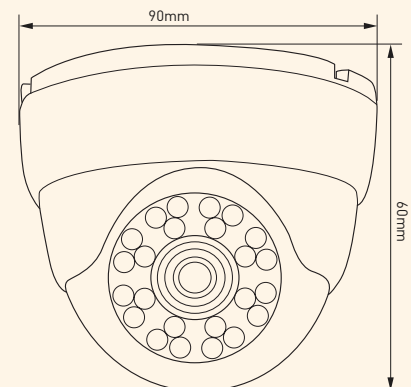
## CCTV DOME CAMERA



96-190

Description	Colour	Model
Dome Camera 800TVL	White	96-190

- Analog
- IR fixed lens dome camera
- PAL/NTSC
- High resolution 1/3 CCD
- 850TVL
- IR distance: 30m



## TECHNICAL DATA

Pick Up Element	Sony 1/4" CCD
Effective Picture	NTSC: 986 x 492, PAL: 976 x 582
Horizontal Resolution	800 TV Lines
SN Ratio	More than 48dB
Clock Frequency (MHz)	NTSC: 36, PAL: 38
Scanning System	2-1 Interface
Minimum Illumination	0.01 Lux
Synchronous System	Internal, Negative Sync
Auto Electric Shutter	NTSC: 1/60s to 1/1,00,000s PAL: 1/50s to 1/100,000s
Video Output	1Vpp, 75Ω
Voltage	12V DC (+/- 10%) 120-800mA
Lens	3.6mm
Operating Temperature	-20°C to +50°C



# VIDEO BALUN



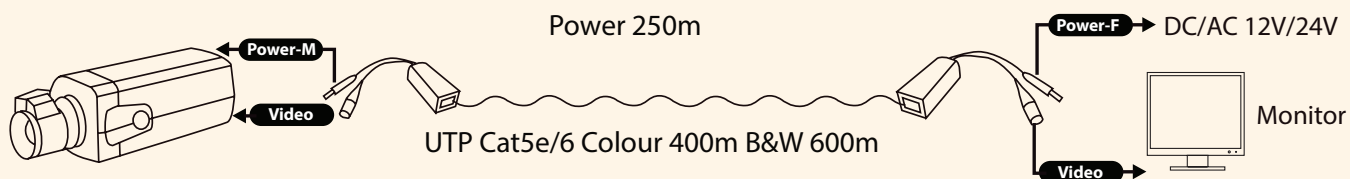
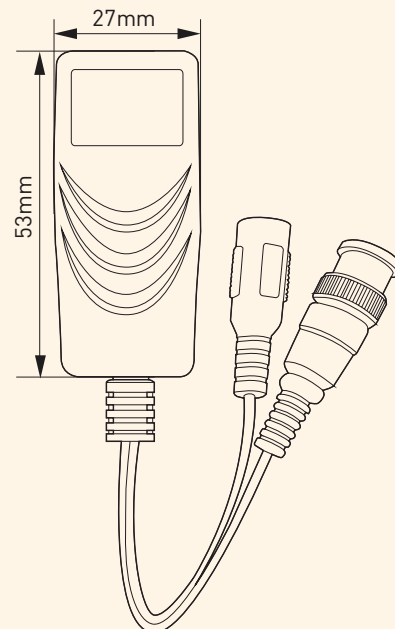
96-031A

Description	Colour	Model
Video Balun	Black	96-031A

- Transmit or receive real-time colour or b/w video signal
- Colour video max up to 400m in pairs via UTP Cat5e/6
- Power signal max up to 250m in pairs: 12V/24V, DC, AC
- No power required
- Built-in TVS for surge protection
- Exceptional interference rejection

## TECHNICAL DATA

Distance	Desired Voltage/Starting Voltage		
	DC 12V, 0.5A	DC 12V, 1A	DC 12V, 1A
50m	13.5V	15.5V	17.0V
100m	15.5V	18.5V	22.0V
150m	17.0V	22.0V	27.0V
200m	18.5V	25.5V	32.0V
300m	22.0V	32.0V	42.0V



# 04

NEW PRODUCTS  
IN THIS SECTION

## 360° DALI Presence Detectors



Pages 93-95

## MIGHTYLITE Solar LED Floodlights



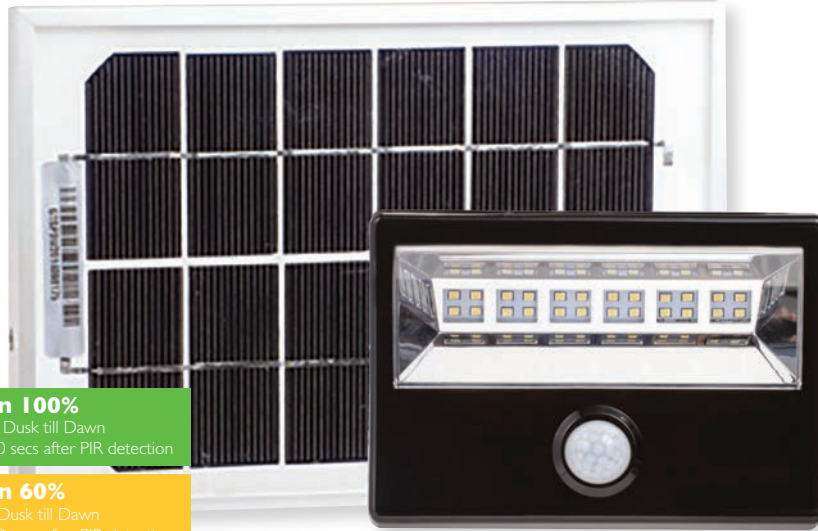
Pages 84-85

# 04

## COMMERCIAL PRODUCTS

16W LED Solar Floodlight with PIR.....	84
28W LED Solar Floodlight with PIR.....	85
360° Presence Detector with Dimming Control.....	86
360° Mini Presence Detector with Dimming Control.....	87
360° Presence Detector Indoor/Outdoor ...	88
IR Remote Control (Dimmable Detector) ...	89
High Frequency Presence Detector .....	90
High Bay Presence Detector .....	91
IR Remote Control (High Frequency) .....	92
360° Presence Detector Indoor/Outdoor ...	93
360° Presence Detector with DALI Control.....	94
IR Remote Control for DALI Detector .....	95

# 16W LED SOLAR FLOODLIGHT WITH PIR MIGHTYLITE



**Battery Condition 100%**  
Operates on Med Light from Dusk till Dawn  
Operates on Max Light for 30 secs after PIR detection

**Battery Condition 60%**  
Operates on Min Light from Dusk till Dawn  
Operates on Max Light for 20 secs after PIR detection

**Battery Condition 35%**  
PIR function only  
Operates on Max Light for 10 secs after PIR detection



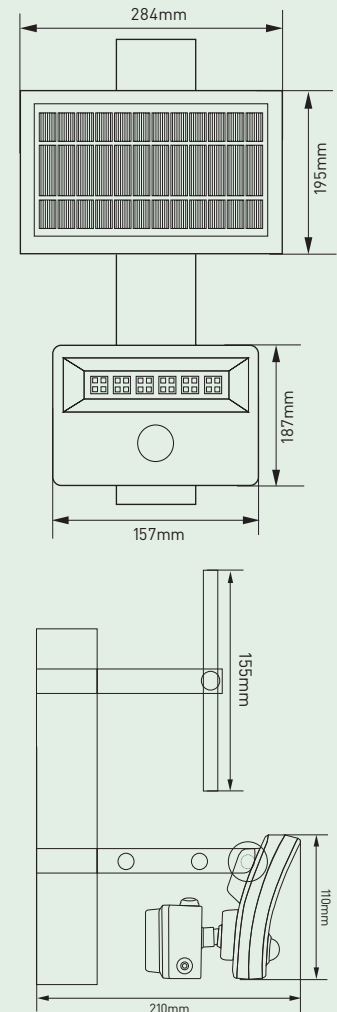
56-129

Description	Colour	Model
16W LED Solar Floodlight	Black	56-129

- Lithium battery
- Battery condition indicator
- Battery charging time: 4 to 8 hrs
- Digital charging controller
- Battery capacity: 12Ah
- 36W solar panel
- Mounting brackets
- Aluminium & polycarbonate construction
- Stainless steel screws

## TECHNICAL DATA

<b>Mounting</b>	Wall/ceiling
<b>Sensor Adjustment</b>	Fixed
<b>Sensor Type</b>	Passive IR
<b>Detection Range</b>	10 to 12m
<b>Detection Angle</b>	120°
<b>Time on Adjustment</b>	Depends on battery condition
<b>Lux Setting (Lux)</b>	0 to 2000
<b>Light Intensity (Lumens)</b>	1200
<b>Colour Temperature</b>	5400K
<b>SMD</b>	24 LED Array
<b>Voltage</b>	4.2V DC
<b>Operating Temperature</b>	-20° C to +60° C
<b>Environmental Protection</b>	IP65
<b>Cable</b>	-



# 28W LED SOLAR FLOODLIGHT WITH PIR MIGHTYLITE



**Battery Condition 100%**  
Operates on Med Light from Dusk till Dawn  
Operates on Max Light for 30 secs after PIR detection

**Battery Condition 60%**  
Operates on Min Light from Dusk till Dawn  
Operates on Max Light for 20 secs after PIR detection

**Battery Condition 35%**  
PIR function only  
Operates on Max Light for 10 secs after PIR detection



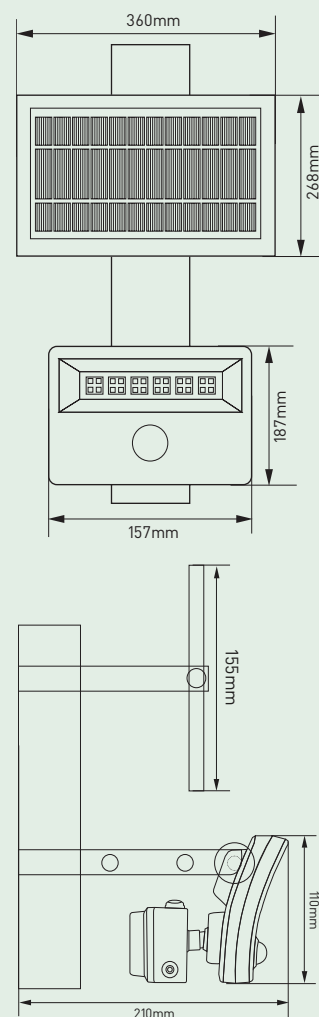
56-128

Description	Colour	Model
50W LED Floodlight	Black	56-128

- Lithium battery
- Battery condition indicator
- Battery charging time: 4 to 8 hrs
- Digital charging controller
- Battery capacity: 18Ah
- 60W solar panel
- Mounting brackets
- Aluminium & polycarbonate construction
- Stainless steel screws

## TECHNICAL DATA

<b>Mounting</b>	Wall/ceiling
<b>Sensor Adjustment</b>	Fixed
<b>Sensor Type</b>	Passive IR
<b>Detection Range</b>	10 to 12m
<b>Detection Angle</b>	120°
<b>Time on Adjustment</b>	Depends on battery condition
<b>Lux Setting (Lux)</b>	0 to 2000
<b>Light Intensity (Lumens)</b>	2300
<b>Colour Temperature</b>	5400K
<b>SMD</b>	24 LED Array
<b>Voltage</b>	4.2V DC
<b>Operating Temperature</b>	-20° C to +60° C
<b>Environmental Protection</b>	IP65
<b>Cable</b>	-



360° PRESENCE DETECTOR WITH DIMMING CONTROL



55-365

Description	Colour	Model
Flush Mount Detector	White	55-365

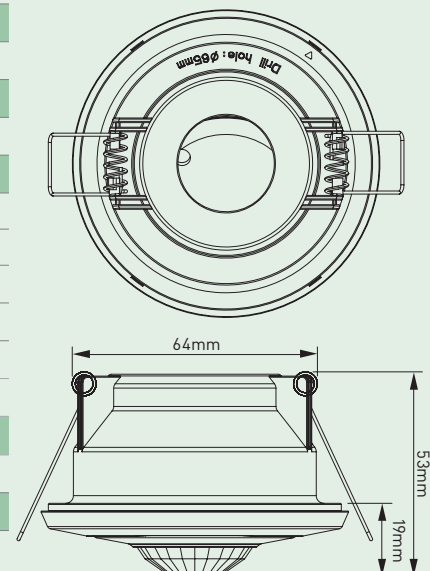
- Multi-function
  - On/Off
  - 1-10V dimming
  - Time adjustment
  - Light sensing
- Cutout diameter: 66mm
- ABS construction
- Programmed by remote control (55-211 optional accessory)



55-211

TECHNICAL DATA

Mounting	Flush
Sensor Adjustment	Adjustable with Lens Shield
Sensor Type	High Frequency 5.8GHz
Detection Range	8m Diameter at 2.5m High
Detection Angle	360°
Time on Adjustment	10 sec to 30 mins
Lux Setting (Lux)	Adjustable from approx. 10 Lux to 2000 Lux
Load	Incandescent Lamp: max. 2000W
	AC Halogen Lamp: max. 1000W
	LV Halogen Lamp: max. 1000VA/600W (traditional)
	max. 1000VA/900W (electronic)
	Fluorescent Lamp: max. 1000VA/600W (uncompensated)
	Electronic Ballast: max. 100mA (50 pieces)
Operating Temperature	0°C to +45°C
Environmental Protection	IP 40 Detector, IP20 Power Box
Power Consumption	0.5W





# 360° MINI PRESENCE DETECTOR WITH DIMMING CONTROL



Actual Size



55-453



Power Box



Description	Colour	Model
Mini Flush Mount Detector	White	55-453

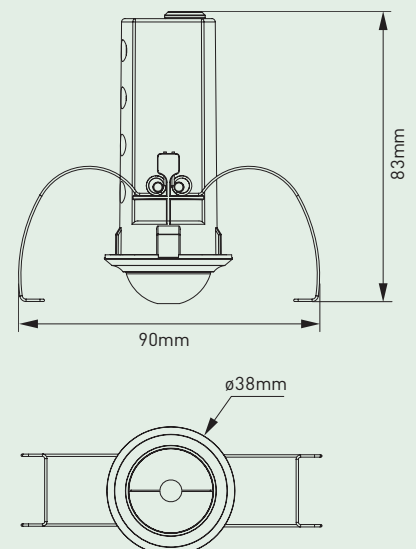
- Multi-function
  - On/Off
  - 1 to 10V dimming
  - Time adjustment
  - Light sensing
- Cutout diameter: 33mm
- ABS construction
- Programmed by remote control (55-211 optional accessory)

## TECHNICAL DATA

<b>Mounting</b>	Flush
<b>Sensor Adjustment</b>	Adjustable with Lens Shield
<b>Sensor Type</b>	High Frequency 5.8GHz
<b>Detection Range</b>	8m Diameter at 2.5m High
<b>Detection Angle</b>	360°
<b>Time on Adjustment</b>	10 sec to 30 mins
<b>Lux Setting (Lux)</b>	10 to 2000
<b>Load</b>	Incandescent Lamp: max. 2000W AC Halogen Lamp: max. 1000W LV Halogen Lamp: max. 1000VA/600W (traditional) max. 1000VA/900W (electronic) Fluorescent Lamp: max. 1000VA/600W (uncompensated) Electronic Ballast: max. 100mA (50 Pieces)
<b>Voltage</b>	230v ± 10% 50 Hz
<b>Operating Temperature</b>	0°C to + 45°C
<b>Environmental Protection</b>	IP 40 Detector, IP20 Power Box
<b>Power Consumption</b>	0.5W



55-211



360° PRESENCE DETECTOR INDOOR/OUTDOOR



55-463 (Flush Mount)



55-464 (Surface Mount)



Description	Colour	Model
Flush Mount Detector	White	55-463
Surface Mount Detector	White	55-464

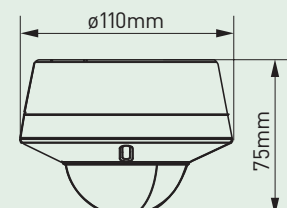
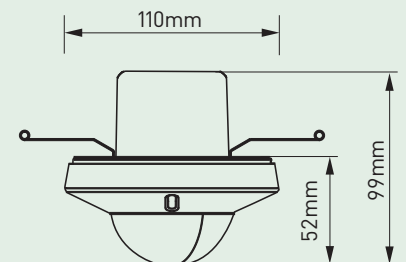
- Multi-function
  - On/Off
  - 1 – 10V dimming
  - Time adjustment
  - Light sensing
- Cutout diameter: 70mm
- ABS construction
- Programmed by remote control (55-211 optional accessory)



55-211

TECHNICAL DATA

<b>Mounting</b>	Flush
<b>Sensor Adjustment</b>	Adjustable with Lens Shield
<b>Sensor Type</b>	High Frequency 5.8GHz
<b>Detection Range</b>	8m Diameter at 2.5m High
<b>Detection Angle</b>	360°
<b>Time on Adjustment</b>	10 sec to 30 mins
<b>Lux Setting (Lux)</b>	10 to 2000
<b>Load</b>	Incandescent Lamp: max. 2000W AC Halogen Lamp: max. 1000W LV Halogen Lamp: max. 1000VA/600W (traditional) max. 1000VA/900W (electronic) Fluorescent Lamp: max. 1000VA/600W (uncompensated) LED Lamp: max. 500VA/400W Electronic Ballast: max. 100mA (50 Pieces)
<b>Voltage</b>	230v ± 10% 50 Hz
<b>Operating Temperature</b>	0°C to +45°C Indoor usage -20°C to +45°C
<b>Environmental Protection</b>	IP40 Flush Mount with power box cap IP54 Surface Mount with junction box
<b>Cable</b>	-







# IR REMOTE CONTROL FOR DIMMABLE DETECTOR



55-211

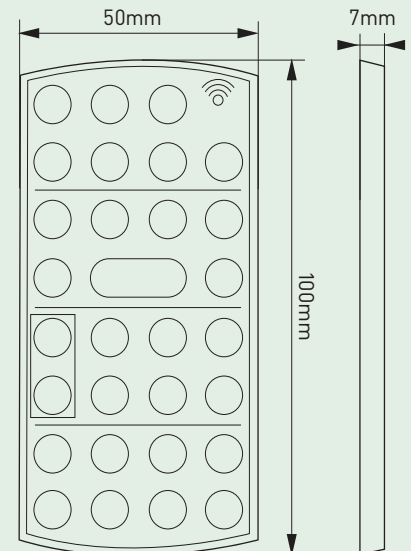


Description	Colour	Model
10m Trans. Range, 3VDC Battery, IR-11D	Charcoal	55-211

- Transmission range – 10m
- Battery included
- Wall mount bracket included
- User friendly
- Suitable for detector with dimming control

## TECHNICAL DATA

Rated Voltage	3V DC (CR2032 Battery)
Transmission Range	Approx. 10m
Transmission Angle	35°
Operating Temperature	0°C to +45°C
Storage Temperature	-25°C to +55°C
For Presence Detector Models	55-365, 55-453, 55-463, 55-464



# HIGH FREQUENCY PRESENCE DETECTOR



55-615



Description	Colour	Model
Flush/Surface Mount Detector	White	55-615

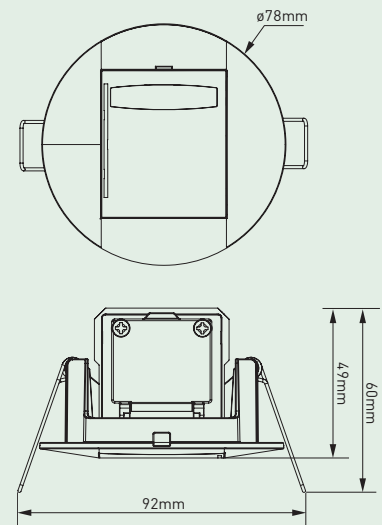
- Multi-function
  - On/Off
  - Time adjustment
  - Light sensing
- Cutout diameter: 70mm
- ABS construction
- Programmed by remote control (55-211 optional accessory)



55-211

## TECHNICAL DATA

<b>Mounting</b>	Flush
<b>Sensor Adjustment</b>	Pivot Down
<b>Sensor Type</b>	High Frequency 5.8GHz
<b>Detection Range</b>	8m Diameter at 2.5m High
<b>Detection Angle</b>	180°
<b>Time on Adjustment</b>	10 sec to 30 mins
<b>Lux Setting (Lux)</b>	0 to 2000
<b>Load</b>	Incandescent Lamp: max. 2000W AC Halogen Lamp: max. 1000W LV Halogen Lamp: max. 1000VA/600W Fluorescent Lamp: max. 900VA/100° F LED Lamp: max. 500VA/400W
<b>Voltage</b>	230V ± 10% 50 Hz
<b>Operating Temperature</b>	0° C to + 45° C
<b>Environmental Protection</b>	IP40 Flush Mount with power box cap IP54 Surface Mount with junction box
<b>Cable</b>	-





# HIGH BAY PRESENCE DETECTOR



55-618



Description	Colour	Model
High Bay Presence Detector	White	55-618

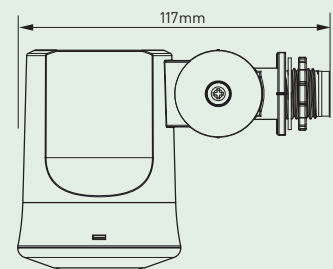
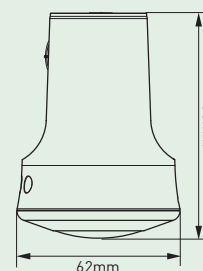
- Multi-function
  - On/Off
  - Time adjustment
  - Light sensing
- ABS construction
- Programmed by remote control (55-211 optional accessory)



55-212

## TECHNICAL DATA

<b>Mounting</b>	Side
<b>Sensor Adjustment</b>	Fixed
<b>Sensor Type</b>	High Frequency 5.8GHz
<b>Detection Range</b>	6m Diameter at 10m High
<b>Detection Angle</b>	360°
<b>Time on Adjustment</b>	5 sec to 30 mins
<b>Lux Setting (Lux)</b>	5 to 2000
<b>Load</b>	Incandescent Lamp: max. 2000W AC Halogen Lamp: max. 1000W LV Halogen Lamp: max. 1000VA/600W Fluorescent Lamp: max. 900VA/100° F LED Lamp: max. 500VA/400W
<b>Voltage</b>	220 – 240V 50 Hz
<b>Operating Temperature</b>	-20° C to + 50° C
<b>Environmental Protection</b>	IP44
<b>Cable</b>	-



IR REMOTE CONTROL FOR HIGH FREQUENCY SENSOR



55-212

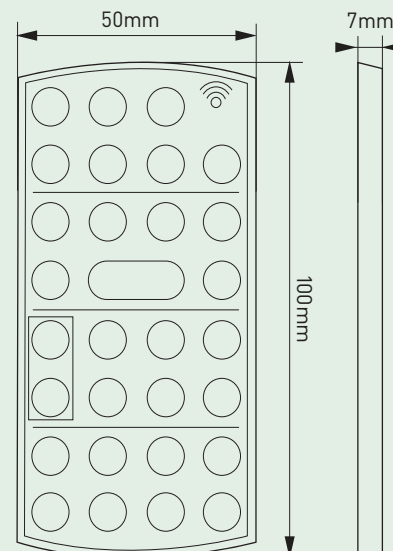


Description	Colour	Model
10m Trans. Range, 3VDC Battery IR-11H	Charcoal	55-212

- Transmission range – 10m
- Battery included
- Wall mount bracket included
- User friendly
- Suitable for detector with dimming control

TECHNICAL DATA

Rated Voltage	3V DC (CR2032 Battery)
Transmission Range	Approx. 10m
Transmission Angle	35°
Operating Temperature	0°C to + 45°C
Storage Temperature	-25°C to +55°C
For HF Presence Detector	55-615, 55-618





# 360° PRESENCE DETECTOR INDOOR/OUTDOOR



55-384I

Description	Colour	Model
Flush Mount Detector	White	55-384I
Flush Mount Detector, Slave Max. 10 Pieces	White	55-384IS

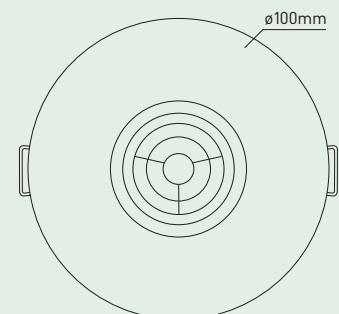
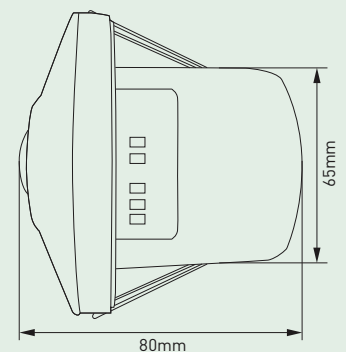
- Multi-function
  - On/Off
  - DALI dimming
  - Time adjustment
  - Light sensing
- Stand-by mode
- Cutout diameter: 68mm
- ABS construction
- Programmed by remote control (55-213 optional accessory)



55-213

## TECHNICAL DATA

<b>Mounting</b>	Flush
<b>Sensor Adjustment</b>	Adjustable with Len Shield
<b>Sensor Type</b>	Passive IR
<b>Detection Range</b>	8m Diameter at 2.5m High
<b>Detection Angle</b>	360°
<b>Time on Adjustment</b>	1 min to 60 mins
<b>Lux Setting (Lux)</b>	Adjustable from approx. 5 Lux to 2000 Lux
<b>Load</b>	2 channels (DA1 + DA2) Electronic ballast (25 Pieces) LED drivers (25 Pieces)
<b>Voltage</b>	230v ± 10% 50 Hz
<b>Operating Temperature</b>	0°C to + 45°C Indoor Usage -20°C to +45°C
<b>Environmental Protection</b>	IP40 flush mount with power box cap
<b>Power Consumption</b>	0.5W



# 360° PRESENCE DETECTOR WITH DALI CONTROL



55-4081

Description	Colour	Model
Flush Mount Detector	White	55-4081
Flush Mount Detector Slave, 10 Pieces	White	55-4081S

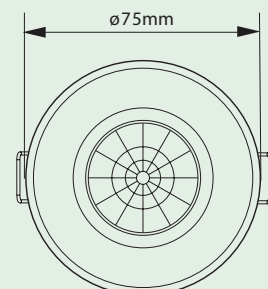
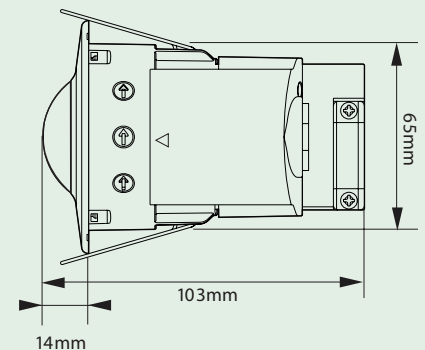
- Multi-function
  - On/Off
  - DALI dimming
  - Time Adjustment
  - Light sensing
- Stand-by mode
- Cutout diameter: 68mm
- ABS construction
- Programmed by remote control (55-213 optional accessory)



55-213

## TECHNICAL DATA

<b>Mounting</b>	Flush
<b>Sensor Adjustment</b>	Adjustable with Lens Shield
<b>Sensor Type</b>	Passive IR
<b>Detection Range</b>	8m Diameter at 2.5m High
<b>Detection Angle</b>	360°
<b>Time on Adjustment</b>	1 min to 60 mins
<b>Lux Setting (Lux)</b>	Adjustable from approx. 5 Lux to 2000 Lux
<b>Load</b>	LED drivers (50 pieces) DALI ballast (50 pieces)
<b>Voltage</b>	230v ± 10% 50 Hz
<b>Operating Temperature</b>	0°C to +45°C Indoor Usage -20°C to +45°C
<b>Environmental Protection</b>	IP40 Flush Mount with Power Box Cap
<b>Power Consumption</b>	0.5W





# IR REMOTE CONTROL FOR DALI DETECTOR



55-213

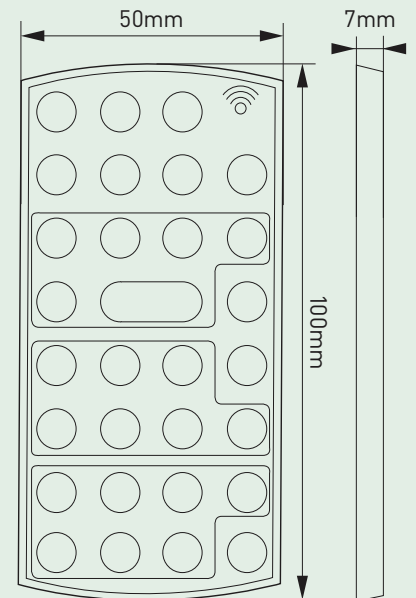


Description	Colour	Model
Remote Control	Charcoal	55-213

- Transmission range – 10m
- Battery included
- Wall mount bracket included
- User friendly
- Suitable for detector with dimming control

## TECHNICAL DATA

Rated Voltage	3V DC (CR2032 Battery)
Transmission Range	Approx. 10m
Transmission Angle	35°
Operating Temperature	0°C to + 45°C
Storage Temperature	-25°C to +55°C
For HF Presence Detector	55-384I, 55-384IS, 55-408I, 55-408IS





Proudly Distributed by



**Repelec (Aust)**

ABN 13 003 762 641

**Phone: 1300 555 586 Fax: 1300 666 066**

**NEW SOUTH WALES**

16 Rayben Street,  
Glendenning NSW 2761

**NORTHERN TERRITORY**

Lot 3919 Hidden Valley Rd,  
Berrimah NT 0820

**QUEENSLAND**

17 Sudbury Street,  
Darra QLD 4076

**SOUTH AUSTRALIA**

95 Harrison Road,  
Dudley Park SA 5008

**TASMANIA**

51 Glen Dhu Street,  
Launceston TAS 7250

**VICTORIA**

4 Enterprise Court,  
Mulgrave VIC 3170

**WESTERN AUSTRALIA**

15 Mordaunt Circuit,  
Canning Vale WA 6155

**Housewatch/HWC products are available from:**