

LED SPOTLIGHTS 2 x 10W



55-155

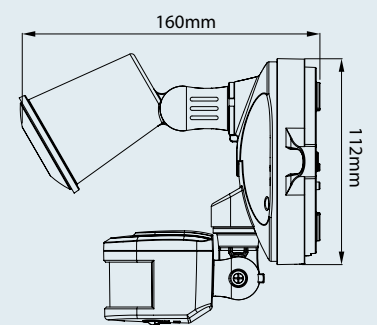
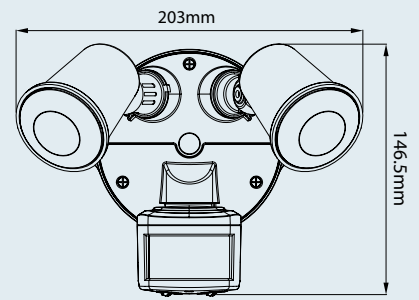


55-158



Description	Colour	Model
LED Spotlight 2 x 10W with Motion Sensor	White	55-155
LED Spotlight 2 x 10W with Motion Sensor	Black	55-156
LED Spotlight 2 x 10W	White	55-157
LED Spotlight 2 x 10W	Black	55-158

- Manual override (sensor models only)
- Adjustable Time, Distance & Lux (sensor models only)
- Quick connect base
- Stainless steel screws
- Aluminium & polycarbonate ABS construction
- Double insulated



TECHNICAL DATA

	Sensor	Non-Sensor
Mounting	Wall	Wall
Sensor Type	Passive IR	-
Detection Range	12m (front)	-
Detection Angle	140° Rotatable 90° Left to Right	-
Time on Adjustment	5 sec to 5 mins	-
Lux Setting (Lux)	0 to 2000	-
Light Intensity (Lumens)	2000	2000
Colour Temperature	5000K	5000K
SMD	Seoul/Cree	Seoul/Cree
Voltage	100 to 240V AC 50Hz	100 to 240V AC 50Hz
Operating Temperature	-20°C to +50°C	-20°C to +50°C
Environmental Protection	IP54	IP54