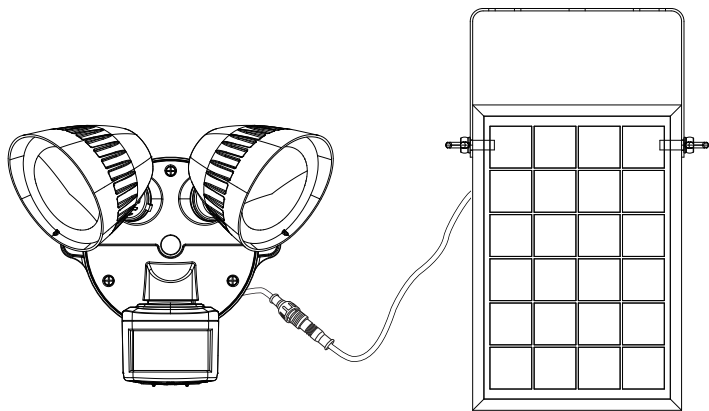




TWIN 8W LED SOLAR SPOTLIGHT

I N S T R U C T I O N S



Model No: 55-176



CONTENTS

INTRODUCTION	3
IMPORTANT SAFETY INSTRUCTIONS	3
INSTALLING THE SPOTLIGHT	4-5
OPERATION AND TESTING	6-8
SETTING UP FOR AUTOMATIC OPERATION	9
MAINTENANCE PROGRAM	9
TROUBLESHOOTING.....	10
SPECIFICATIONS.....	11
WARRANTY INFORMATION	12

INTRODUCTION

The Housewatch LED solar spotlight is a low-energy, high powered outdoor fitting. The LED spotlight is suitable for installation on walls in a range of outdoor locations including entrances, gardens, staircases, garages and parking areas.

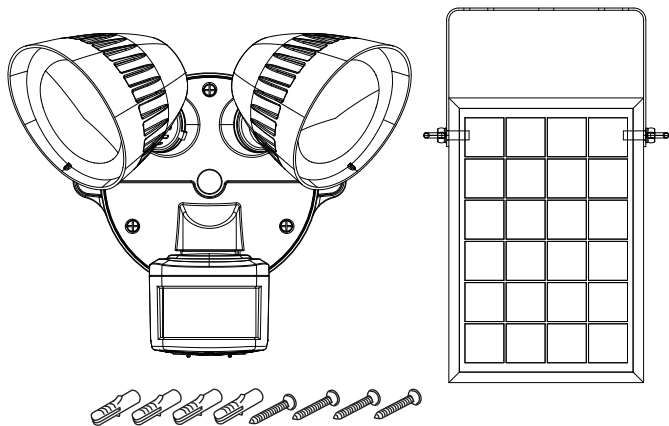
IMPORTANT SAFETY INSTRUCTIONS

Please follow these instructions carefully before attempting to install and operate this spotlight.

- ⚠ DO NOT direct the light into a person's eyes. This spotlight has a very intensive light output, which if incorrectly used could cause eye damage.
- ⚠ WARNING: Risk of fire. Do not aim the fitting at a combustible surface within 1m
- ⚠ CAUTION: Keep the sensor at least 51mm away from the lamps.

INSTALLING THE SPOTLIGHT

****NOTE: Charge the spotlight for a full day before use****



PACKAGE INCLUDES

- Light fixture x 1
- Stainless steel screws x 4
- Wall anchors x 4
- Solar panel x 1

MOUNTING THE SPOTLIGHT

Using the screws and wall anchors provided, secure the spotlight horizontally to the wall and the solar panel in direct sunlight up to 5 metres away from the spotlight. Ensure that the connection between and the solar panel is firmly tightened as per **Figures 1 & 2**.

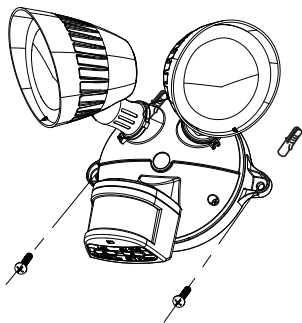


FIGURE 1

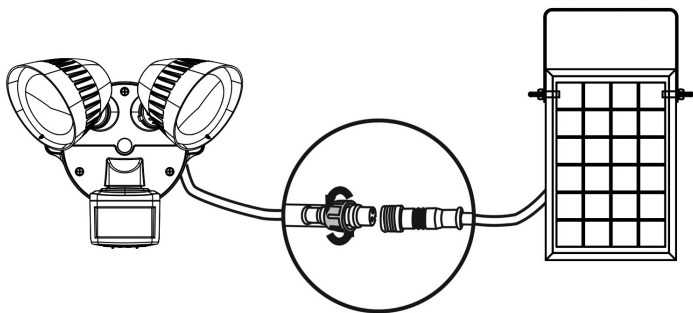
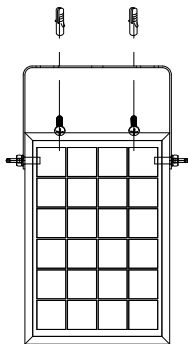


FIGURE 2

OPERATION & TESTING

WALK TESTING PROCEDURE

The sensor will rotate from left to right and up and down. Adjust the sensor to point in the desired direction (see **Figure 3 & 4**) for the sensor movements.

1. Set the two adjustment controls on the bottom of the sensor, (see **Figure 6** on page 8) to the following positions:

TIME - Slide switch: 5 seconds

LUX - Slide switch: Day

The unit will now operate during daytime as well as night, illuminating the lamps for approximately 5 seconds each time. This allows testing to be carried out to establish the best position for the sensor.

2. Once the solar panel is connected, the lamp will immediately illuminate as the unit goes through its 'warm-up' period. After approximately 1 to 2 minutes, the lamp will extinguish. Try to remain outside the detection area during the warm-up period.

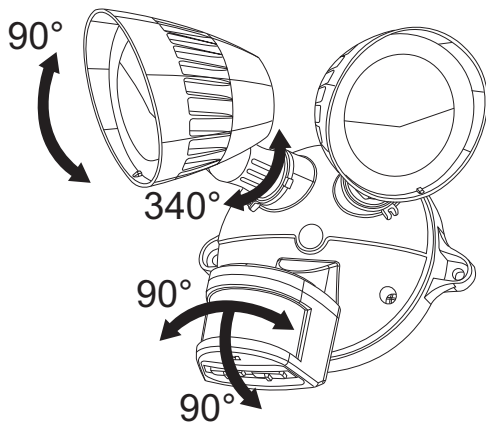


FIGURE 3

- Walk across the detection area approximately 5 metres from the unit. As you walk across the detection 'zone' the lamp will illuminate. Now stand still until the lamp extinguishes (this should take approximately 5 seconds).

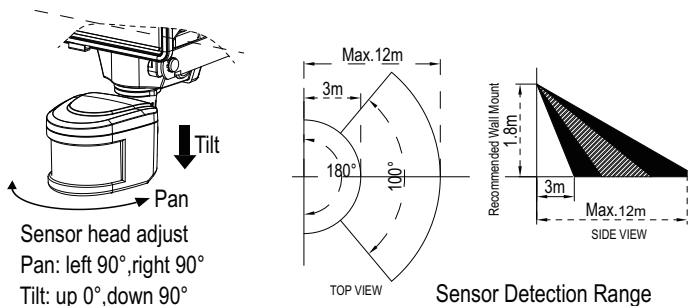


FIGURE 4

SENSOR DETECTION RANGE

NOTE: If the fitting is mounted higher than 2.4m, aiming the sensor down will reduce coverage distance. The detector is less sensitive to motion directly towards it (see **Figure 5** below)

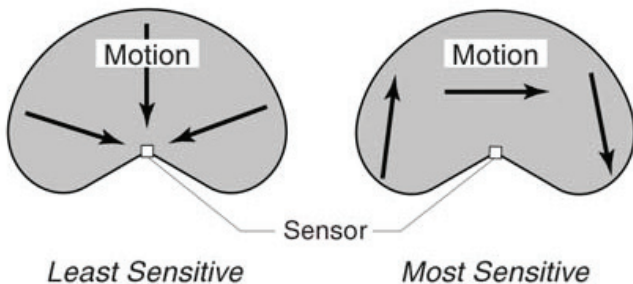


FIGURE 5

OPERATION & TESTING

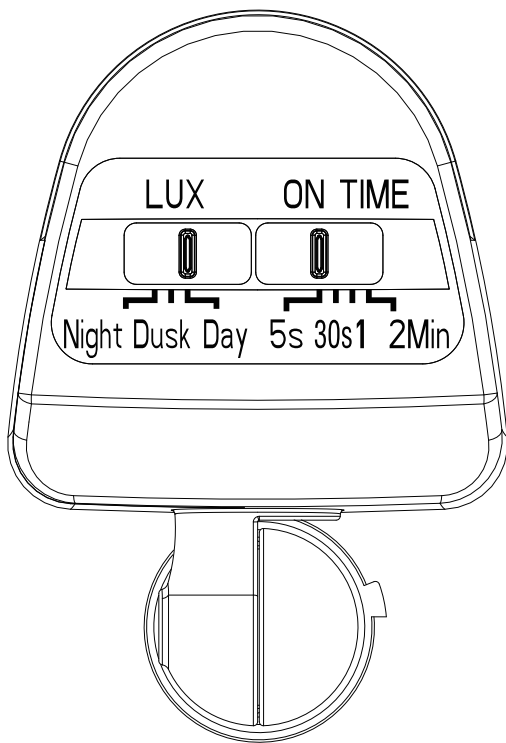


FIGURE 6

SETTING UP FOR AUTOMATIC OPERATION

Once the walk tests are completed, the unit can be switched to automatic operation. The **TIME** setting controls how long the unit remains illuminated following activation and after all motion ceases. The minimum time (slide switch) is approximately 5 seconds, the maximum time (slide switch) is approximately 2 minutes. Set the slide switch control to the desired setting between these limits (see **Figure 6**).

The **LUX** slide switch control determines the level of darkness required for the unit to start operating. The setting is best achieved by the following values:

Set the slide switch to the 'Night' position (about 0 to 20 Lux).

Set the slide switch to the 'Dusk' position (about 0 to 200 Lux).

Set the slide switch to the 'Day' position (about 0 to 2000 Lux).

MAINTENANCE PROGRAM

1. After a period of time the lamp and lantern surfaces can accumulate dust and debris. This accumulation of dust and debris can directly influence the performance of lamps and fitting. A regular cleaning maintenance program for lamps and lanterns should be run on a 6 monthly cycle.
2. During the regular cleaning maintenance program it is important to check that all parts are in good condition and any loose screws are tightened.
3. During the cleaning process it is important to not use corrosive or volatile liquids. The use of corrosive or volatile liquids may cause a chemical reaction and may influence the performance. It is recommended to use a damp cleaning cloth.

TROUBLESHOOTING

Problem	Recommended Action
Lights do not turn on	<ol style="list-style-type: none">1) Charge the solar spotlight for a full day before use2) Check sensor is level and pointed at the area you desire and movement is not directly towards the sensor but across the lens. Check sensor is mounted at the recommended height.
Lights flickering on/off (Sensor irregular)	<ol style="list-style-type: none">1) Check position of time adjustment at bottom of sensor. There are 4 settings, 5 seconds, 30 seconds, 1 minute and 2 minutes. Adjust to the desired time.
PIR sensor will not operate at all	Check the connection between the spotlight and the solar panel. Ensure it is tightened firmly.
Lights do not turn off	<ol style="list-style-type: none">1) Slide the TIME switch to 5 seconds2) Make sure the sensor is not aimed at something that would cause a temperature change or towards objects which may move.
Unit activates during the daytime	The level of ambient light in the area may be too dark for the current DUSK setting. During daylight, slide the LUX control to night.

SPECIFICATIONS

Model Description:	Twin 8W LED Solar Spotlight
Model Numbers:	55-176
Detection Range:	Up to 12 metres
Detection Angle:	180°
Power Supply:	DC3.7V
Max. Switchable Load:	LED 8W x 2
Lamp Type:	8W high power LED x 2
Time On Adjustment:	5 secs, 30 secs, 1 min, 2 min (slide switch)
Dusk Level (LUX) Adjustment:	Night, Dusk, Day (slide switch)
Environmental Protection:	IP54 (suitable for outdoor use)

Specifications are subject to change without prior notice.



MANUFACTURER'S WARRANTY

This Housewatch product is guaranteed for a period of 2 (Two) years from date of purchase, provided the product has been installed in accordance with this instruction manual and local electrical wiring regulations and codes of practice.

This guarantee shall become invalid if this product has been incorrectly installed, misused, tampered with or accidentally damaged.

If the goods are defective, we undertake to repair or replace the goods or any part of them that is defective; or provide again or rectify any services or part of them that are defective; or wholly or partly recompense you if they are defective.

This guarantee is in addition to other rights and remedies available to consumers, all of which are given by us to you if you are a consumer. Our Goods come with guarantees that cannot be excluded under the Australian Consumer Law. You are entitled to a replacement or refund for a major failure and for compensation for any other reasonably foreseeable loss or damage.

You are also entitled to have the goods repaired or replaced if the goods fail to be of acceptable quality and the failure does not amount to a major failure. If you wish to make a warranty claim, please return this product to the original place of purchase together with your purchase receipt, or contact us using the below details.

Proudly Distributed by



Repelec (Aust)

Locked Bag 45

Plumpton NSW 2761

Ph: 1300 555 586 Fax: 1300 666 066

Email: info@housewatch.com.au